

TVS N1FORQ 125



UNIQUE FEATURES

3-VALVE 125 CVTi - Revv ENGINE

Your scooter is India's 1st scooter with 3 valve powerful engine. The additional intake valve in your scooter helps in faster filling of petrol-air mixture and faster & better combustion.



FULLY DIGITAL CONNECTED INSTRUMENT CLUSTER

Your scooter is fitted with 'Fully Digital Connected Instrument Cluster'. This first-in-class cluster housed perfectly in the headlamp housing of your scooter.



SMARTXONNECT - BLUETOOTH CONNECTIVITY (First Time in Scooters)

The connected instrument cluster of your scooter has a built-in Bluetooth® connectivity through which you can connect your Android™ smart phones to access features like caller ID, SMS notification and navigation assist in the cluster and ride stats share, last parked location in your Android™ smart phone.

ENGINE CUT OFF SWITCH**

'Engine Cut Off Switch' is another unique feature in scooter which allows you to shut the engine without switching OFF the ignition.



ECONOMETER®

Your scooter's connected instrument cluster has an 'ECONOMETER®' which indicates whether you are riding in Economy Mode or Power mode. This is a unique feature of your scooter which guides you to ride your scooter fuel efficiently.



EXCLUSIVE PASS-BY SWITCH

'Exclusive Pass-by Switch' allows you to easily switch between high and low beam of head lamp with easy press and auto release. It is helpful especially while overtaking.



** Applicable only for Disc Brake version



UNIQUE FEATURES

HEADLAMP WITH DRL

Your scooter has a brightest headlamp with 'Multi Focal Reflector' and 'Halogen bulb' for better visibility. It also has a stylish 'Day Running Lamp - DRL' at the bottom.



EXTERNAL FUEL FILL

This is an exclusive facility which allows you to fill petrol without even getting out of your seat.



LOW FUEL INDICATOR

'Low Fuel Indicator' is yet another unique feature of your scooter which indicates you to refill the fuel when the fuel in the tank goes below minimum safe level.



TEXTURED FLOORBOARD

Your scooter comes with a stylish textured floor board.



SYNCHRONISED BRAKE SYSTEM (SBS)*

'Synchronised Brake System' fitted in your scooter reduces the stopping distance, while keeping the stability intact.



PETAL DISC BRAKE**

Your scooter is fitted with '220 mm Roto - Petal Disc' at the front for effective braking and safe riding even at higher speeds.



CHUNKY TUBELESS TYRES

'Chunky Tubeless Tyres' are another important unique feature in your scooter. Tubeless tyres reduces the chances of getting punctured. Even if there is a puncture, sudden leakage of air is avoided, thereby provide better safety and convenience. It is also very easy to repair the punctured tyres.



* Applicable only for Drum Brake version

** Applicable only for Disc Brake version

UNIQUE FEATURES

DIAMOND - CUT ALLOY WHEELS

Your scooter has sporty diamond cut alloy wheels.



LARGER ALLOY WHEELS

'Larger Alloy Wheels' with high mechanical advantage gives progressive braking of your scooter, results in best-in-class 'Shortest Distance' braking. It also provide superior comfort in bad road conditions.



RETRACTABLE BAG HOOKS

Your scooter has two retractable 'Bag Hooks' to carry light luggage like carry bags weighing upto 3 kg. One hook is located below the handle bar on the rear panel and the other one is located on the cover front below the front end of the seat.



PATENTED E-Z CENTRE STAND

'E-Z Centre Stand' of your scooter reduces the effort required to place the scooter on stand.



LED TAIL LAMP-CUM-BRAKE LAMP

Your scooter has a 'LED Tail Lamp-Cum-Brake Lamp' for better visibility and stylish looks.



PARKING BRAKE (Rear Brake Lock)

'Parking Brake' is another safety feature which protects your scooter from falling due to wheel rotation when it is parked with the side stand on a slope.



TVS 

UNIQUE FEATURES

UNDER-SEAT STORAGE (Utility Box)

Your scooter has a 22 litre 'Under-Seat Storage' space to carry your luggage belongings, full face helmet etc.



SMART PHONE CHARGER AND UTILITY BOX LIGHT

Your scooter has a 'Smart Phone Charger' enable to charge your mobile phone when you are traveling. The 'Utility Box Light' which lights up the utility box whenever the seat is open.



HELMET HOOKS

Your scooter has two 'Helmet Hooks' under the seat assembly at the front end of utility box to secure your helmet.



AUTO-CHOKE

The auto-choke helps your scooter start effortlessly even in cold weather.



ACCESSORIES FOR YOUR VEHICLE

Apart from the above listed unique features, the following accessory is also available for your scooter to enhance look and for your convenience.

Ask your Distributor / Dealer to fix this accessory on your scooter but it will be charged additional.

- Front glove box

Welcome to the 'T'ribe.

If you are reading this, you are now in control of a revolutionary riding experience crafted with cutting-edge style, performance and technology.

TVS NTORQ 125.

Sculpted with aerodynamic fighter jet-inspired styling.

Built with India's first-ever 3-valve scooter engine.

Loaded with never-before next-gen technology.

India's First Bluetooth-connected Scooter.

The TVS NTORQ 125 screams wow, even when it's not screaming down a racetrack.

This manual is your guide to unlocking the complete potential of your TVS NTORQ 125. Read it. Hold on to it.

And of course, we're sure that a true rider like you will get your TVS NTORQ 125 regularly serviced, only at TVS Motor Company's Authorised Distributor or Dealer / Authorised Service Center.

Just remember. Play safe and watch out for that adrenalin rush!

TVS MOTOR COMPANY LIMITED

Always keep your Owner's Manual in the scooter and give it to the new owner if you ever sell your TVS NTORQ 125.

Take time to familiarize yourself with your TVS NTORQ 125 and its performance characteristics.

This Owner's Manual contains a host of useful information. Please take the time to read this manual before you ride your new TVS NTORQ 125. Get familiarised with the operation of your scooter for maximum safety and pleasure. The better you know your vehicle, the more pleasure you will experience riding your new vehicle. Ensure that anyone else riding your TVS NTORQ 125 does the same.

All information, illustrations, photographs and specifications contained in this owner's manual are based on the latest product information available at the time of this publication. TVS Motor Company Limited may, however, incorporate modifications or improvements on its vehicles at any time without notice, and therefore, in such events it is possible that the relevant part of the owner's manual does not apply to your vehicle.

Prior permission of TVS Motor Company Limited is required for quoting, copying or reproducing any part of this owner's manual.

i Note

Accessories shown in the picture may not be part of the standard equipment.

Pictures shown in this manual are of TVS NTORQ 125 Disc Brake version unless specified.

Your scooter is provided with a day time running lamp (DRL). The DRL glows automatically once the ignition is turned ON and goes dim on turning ON the head lamp while the engine is running.

Operating this vehicle safely is an important responsibility of the rider. To help you make decisions on safety, we have provided necessary operating procedure and other information in this manual. This information alerts you on potential hazards that could hurt you or others. Since it is not possible to warn you about all the hazards associated with operating or maintaining the vehicle, you must use your own judgement.

You will find important safety information in following form in this manual. These words carry the following connotations:

Warning

*Disregarding this message might result in **injury to the rider or deadly accidents.***

Caution

*This message indicates special procedures or precautions to be followed to **avoid damage to the vehicle.***

Note

*This message provides further clarification for **clear understanding of any particular information.***

Running-in information	01
Safe riding tips	02
Know your TVS NTORQ 125	06
Riding your TVS NTORQ 125	44
Maintenance	48
Scheduled Service Record Sheet	69
Technical specifications	72

TVS NTORQ 125

The first 1000 km is a crucial part for the life of your scooter. Proper running-in operation during this period helps in ensuring a **maximum life** and **smooth performance** of your scooter.

The reliability and performance of your scooter depends on the special care and restraint exercised during the running-in period. It is especially important that you avoid operating the engine in high speed (RPM), which could expose the engine parts to excessive stress. Maximum recommended speed during the running-in is:

Maximum 50 kmph speed upto 1000 km (vary the engine speed for better mating of parts).

The first service at 500 ~ 750 km is most important. During running-in period all the engine components and other parts will have set in. All adjustments to be restored, all fasteners to be tightened. **Engine and transmission oil to be replaced.** Timely performance of the first service will ensure optimum service life and performance from the engine.



Caution

Replacing the engine and transmission oil during first service is most important for better life of engine. Always use TVS TRU4 SKUUTA oil (SAE10W30 API-SL, JASO MB) for better performance and life.

SAFE RIDING RECOMMENDATIONS

Any two wheeler riding requires some precautions to be taken to ensure the safety of the rider, pillion rider and other road users. These precautions are:

Familiarise yourself with new TVS NTOURQ 125

Riding skill and your mechanical knowledge forms the foundation of safe riding practices. We suggest you to practice riding TVS NTOURQ 125 in a low-traffic condition until you are thoroughly familiar with your vehicle and its controls. Remember practice makes you perfect.

Riding apparel

Loose, fancy clothing can be uncomfortable and unsafe when riding a two-wheeler. Choose good quality two wheeler riding apparel.

Know your limits

Ride within the boundaries of your own skill at all times. Knowing these limits and staying within them will help you avoid accidents.

Warning

Two wheeler safety starts with wearing a good quality helmet. One of the most serious injuries that can happen is a head injury. Always wear an good quality helmet that should fit your head comfortably and securely. You should also have good quality goggles to protect your eyes and help your vision.

To prevent or minimize accident, never consume alcohol or drugs before or during the operation of your vehicle. Even minimal consumption of these will affect the rider's ability to control the vehicle.

Posture

Proper vehicle riding starts with proper posture.

1. Keep your elbows relaxed and flexible.
2. Sit and adjust yourself on seat so that arms and shoulders are relaxed.
3. Look widely instead of gazing at one point.

Warning

One-hand riding is dangerous. Keep both hands firmly on the handle bar and both feet securely on the floor board. Under no circumstances should both the hands be removed from the handle bar, as it is very dangerous.

Avoid use of mobile phones while riding as it could lead to fatal accident.

Slow down to a safe speed before negotiating a corner. If this is the first time that you are riding a vehicle of this type, we suggest that you practice on a safe, open area to thoroughly familiarise with the operation of the vehicle.

Cornering

When cornering, centrifugal force works in a direction perpendicular to the direction in which the vehicle is moving. Centrifugal force increases in proportion with speed and the radius of the corner.

During cornering, reduce speed so as to reduce the effects of centrifugal force. Avoid abrupt application of brake or sudden steering by all means.

Braking

For safe riding, it is very important to master the braking techniques.

1. Close/release the throttle.
2. Hold the vehicle upright as you apply the brake.
3. Progressive application of brakes is safer.
4. **Apply both the brakes. 'SBS' provides additional braking even when 'only Rear brake' is applied. But applying 'Both the brakes' helps you use the full potential of the brakes.**
5. Riding down hills, while cornering and wet roads, close throttle and come to a slower speed to prevent skidding and to avoid the loss of control over the vehicle.

Causes for poor braking

1. If the brake shoes / pads or drum / disc are worn out or if there is water or oil on them, sufficient friction does not develop and brakes do not work well.
2. Even when the brake works normally, if the road surface is wet or the tyre surface is worn-out, tyres do not take a firm hold on the surface, increasing the stopping distance.

Warning

As the vehicle speed increases, the stopping distance also increases progressively. Be sure that, you have sufficient distance between you and the vehicle or obstruction ahead of you. Avoid directing the water jet directly towards brake drum/disc pads during water wash.

*Using only the front or rear brake is dangerous and can cause skidding and loss of control. **Apply both the brakes together and with great care on a wet road or other slippery surfaces.** Any abrupt braking on slippery or irregular roads can cause loss of rider control.*

3. Approximately 60% braking effect is from front brake. **Non-usage of front brake causes poor braking.**

ACCESSORY INSTALLATION AND SAFETY TIPS

Use extreme caution while selecting and installing the accessories for your TVS NTORQ 125.

The addition of **unsuitable accessories can lead to unsafe operating conditions.** Your friendly Distributor / Dealer will assist you in selecting quality accessories and installing them correctly.

While selecting the accessories, make sure the accessories **should not obstruct lighting, steering, suspension level and ground clearance.**

Additional electrical equipments and controls should not exceed the specified electrical system load of the vehicle (capacity of battery and magneto).

EMISSION CONTROL

All the TVS vehicles are tested in the factory for optimum fuel efficiency and lowest possible CO levels.

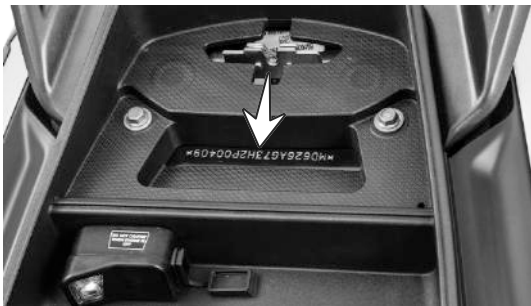
Do not disturb the Carburettor settings as this may lead to higher fuel consumption and also higher CO levels.

If the vehicle needs any adjustments, please consult nearest TVS Motor Company Authorised Distributor or Dealer / Authorised Service Center.

While adequate care is exercised at the factory to ensure that the emissions are within the limits, it is essential for the owner to always maintain the TVS NTORQ 125 in good condition by getting it periodically checked and serviced by TVS Motor Company Authorised Distributor or Dealer / Authorised Service Center, so that the emission and fuel consumption levels are maintained as per norms.

VEHICLE IDENTIFICATION NUMBER

The frame and engine serial numbers are the only means of identifying your vehicle from others of the same model and type. They are also required to assist your Dealer for ordering parts or referring to special information.



The frame serial number is stamped on the frame, at the rear end below the seat assembly. Open the seat assembly to read the frame number.

Frame number

--	--	--	--	--	--	--	--	--	--	--	--	--	--	--	--	--	--	--	--	--

Engine number

--	--	--	--	--	--	--	--	--	--	--	--	--	--	--	--	--	--	--	--	--

Control key number

--	--	--	--	--	--	--	--	--	--	--	--	--	--	--	--	--	--	--	--	--

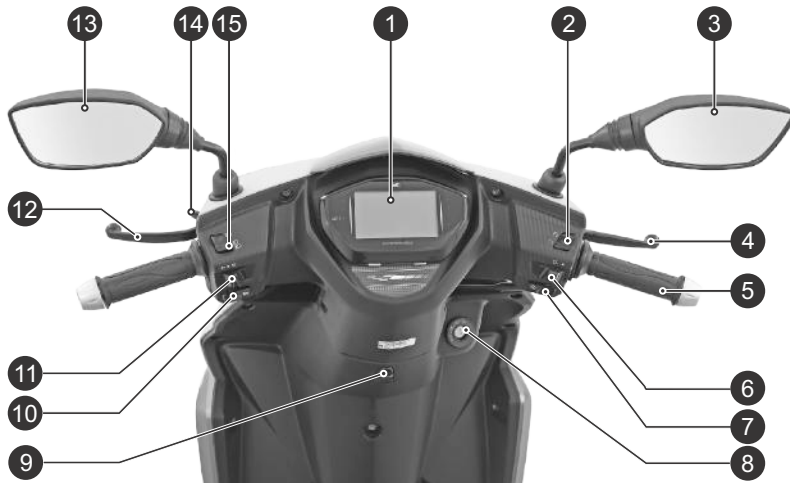
Please fill the above boxes now for future reference



The engine serial number is stamped on the left side of the engine, at the bottom, near center stand mounting. See bottom to read serial number.



LOCATION OF PARTS - HANDLE BAR



1. Connected instrument cluster
2. Engine kill switch**
3. Rear view mirror L
4. Front brake lever
5. Throttle grip
6. Head lamp switch
7. Electric starter switch
8. Ignition cum steering lock
9. Bag hook (front)
10. Horn switch
11. Turn signal lamp switch
12. Rear brake lever
13. Rear view mirror R
14. Parking brake (rear brake lock)
15. High/low beam cum pass by switch

** Applicable only for Disc Brake version

LOCATION OF PARTS - VEHICLE LEFT SIDE



1. Disc plate front
2. Front wheel axle
3. Side stand
4. Center stand
5. Pillion foot rest L
6. Kick starter lever
7. Rear brake adjuster nut
8. Lady foot rest L - foldable[†]
9. Seat cum fuel tank lock

[†] Optional accessory will be charged extra



LOCATION OF PARTS - VEHICLE RIGHT SIDE



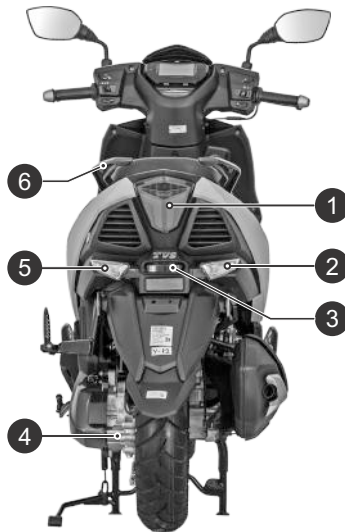
1. Seat assembly
2. Muffler assembly
3. Gauge oil level
4. Pillion foot rest R
5. Cover front
6. Bag hook (rear)
7. Front wheel axle nut

LOCATION OF PARTS - VEHICLE FRONT AND REAR



FRONT

1. Head lamp assembly
2. DRL
3. Turn signal lamp front R
4. Turn signal lamp front L



REAR

1. Tail/ brake lamp
2. Turn signal lamp rear R
3. License plate lamp
4. Transmission oil level screw
5. Turn signal lamp rear L
6. Pillion handle



CONTROL KEY

Your TVS NTORQ 125 comes with a pair of identical control keys. These keys are to operate ignition cum steering lock, fuel tank cap and seat lock.

IGNITION CUM STEERING LOCK

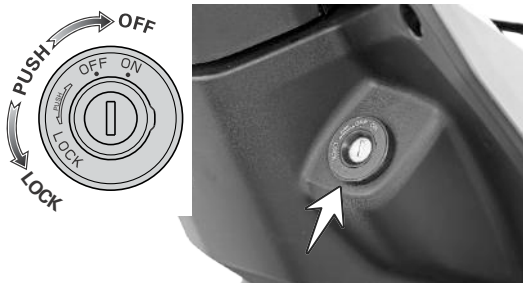
The ignition switch enables and disables the electrical circuit and steering lock. The three positions of the switch are described below.

1. 'OFF' position

All electrical circuits are deactivated. The key can be removed from the lock.

2. 'ON' position

All electrical circuits are activated. The connected instrument cluster and warning lights perform the self-diagnostic cycle once upon activation.



The engine can be started. Control key cannot be taken out from the lock.

3. 'LOCK' position

Your TVS NTORQ 125 steering can be locked in both 'left' and 'right' directions.

Turn the handlebar to the 'left' or 'right'. Press the key IN and rotate it to the 'LOCK' position from 'OFF' position. All electrical circuits are deactivated and the steering is locked. Control key can be removed from the lock.

Insert the key into the lock and press the key IN and turn it to 'OFF' or 'ON' position to unlock the steering.

 Note

The connected instrument cluster background illumination, day time running lamp (DRL) and tail lamp glow automatically once the ignition key is turned 'ON' without activating any other switches.

When the ignition switch is turned 'ON' the connected instrument cluster performs self diagnostic cycle. Wait till the message 'HELLO RIDER' or name of the person given in the app is displayed.

⚠ Warning

Never attempt to move the vehicle when the steering is locked, you may lose balance.

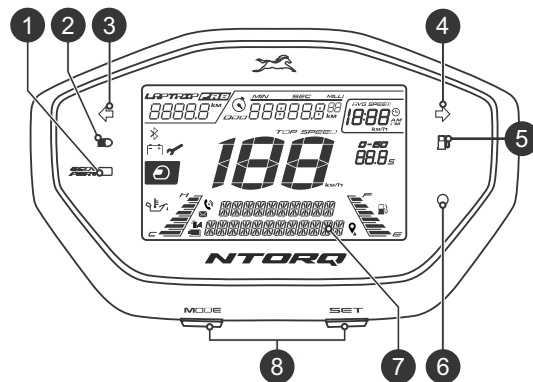
⚠ Caution

Leaving the ignition cum steering lock in 'ON' position for a prolonged time will drain the battery when the vehicle is not in use. Switch OFF and take the key out when the vehicle is not in use.

Always lock the steering while parking for safety.

CONNECTED INSTRUMENT CLUSTER

Your TVS NTOUQ 125 is provided with a fully digital connected instrument cluster with lots of features and various modes like street mode, sport mode, mobile app for Android devices and navigation assist etc.



1. Economy and power indicator

Eco indicator (green lamp) indicates that the vehicle is running in economy mode which gives better fuel economy.



Power indicator (amber lamp) indicates that the vehicle is running in power mode which results in reduced fuel economy.

These indicators glow only when the engine is ON.

2. High beam indicator lamp ()

Glow when the head lamp is activated in high beam.

3. Turn signal indicator left ()

Flashes when the 'left' side turn signal indication is activated.

Note

Always ride the vehicle in 'economy mode' for better fuel efficiency.

Whenever the vehicle is switched 'OFF' and started again, if the engine is kept running in idle mode for more than 110 seconds approximately, the power mode indicator blinks and informs you that the fuel is getting wasted and the engine needs to be switched 'OFF' to save the fuel.

Similarly, during running, if the vehicle is kept more than 20 seconds in idling mode, the power mode indicator blinks and warns again.

4. Turn signal indicator right ()

Flashes when the 'right' side turn signal indication is activated.

5. Low fuel indication ()

The low fuel indicator glows when the fuel level reaches to reserve fuel level and a message 'FUEL ON RESERVE' will be displayed at alpha numeric display till the fuel raises above the reserve level.

FUEL ON
RESERVE

If the fuel level reaches empty level, the low fuel indicator continues to glow and a message 'FUEL EMPTY' will be displayed at alpha numeric display.

FUEL EMPTY

6. Smart-connect Notification LED

A green colour LED indicator glows and indicates whenever there is an incoming call or message received by the 'Smart Phone' paired with your TVS NTORQ 125.

7. Alpha numeric display

The customized alpha-numeric display indicates different modes of instrument cluster, vehicle information and smart-connect related messages, when the ignition key is turned ON.

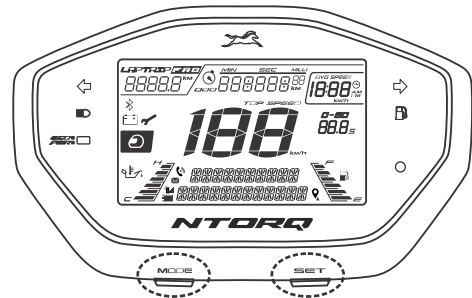
8. Mode and Set buttons

Mode button is used to change the connected instrument cluster display to various modes like 'Street mode', 'Sport mode', 'Ride stats mode' etc.

Set button is used to 'set' or 'erase the stored value' in various modes.

The set button is also used to find the Estimated time of arrival and distance remaining to reach destination in navigation mode.

MODE AND SET BUTTONS

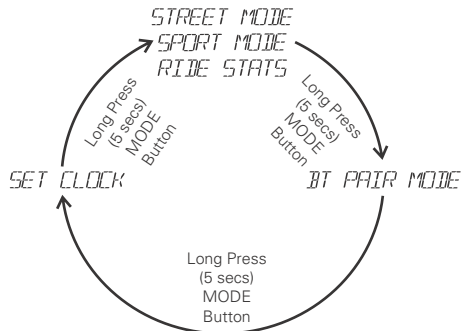
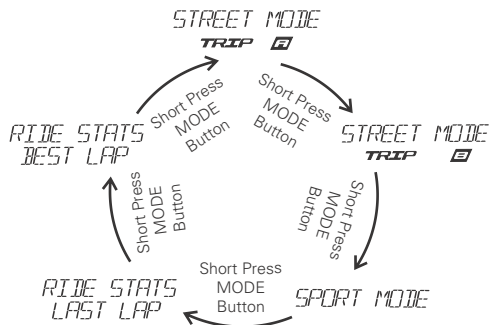


TVS NTOUQ 125's connected instrument cluster offers you different modes of display to choose. The sequence of the modes, their selection and their working are explained in the following pages.

1. Street mode
2. Sport mode
3. Ride stats mode
4. BT pair mode
5. Set clock mode

i Note

The above mode changes are possible only when the vehicle is in static for safety.



i Note

On riding condition of the vehicle, only street mode and sport mode will be displayed in the connected instrument cluster. All other modes can be accessed only when the vehicle is static.

On ignition 'OFF' and 'ON', the previously displayed mode will be retained in display of the connected instrument cluster.

The connected instrument cluster of your scooter enters into BT pair mode automatically, when the following conditions are met:

1. Battery is disconnected and reconnected again.
2. When the vehicle fuse is blown and replaced
3. When the electric start is done with the low SOC (state of charge) battery (will be indicated through self-check of connected instrument cluster).

1. Street mode

In street mode, the following features will be displayed on the connected instrument cluster :

- 1a. Odometer
- 1b. Clock
- 1c. Fuel gauge
- 1d. Speedometer
- 1e. Engine temperature gauge
- 1f. Helmet icon
- 1g. Low battery indicator
- 1h. Service reminder
- 1j. Trip A, B and F

1a. Odometer

Odometer registers the total distance covered by the vehicle in kilometer.



1b. Digital clock

Indicates the time in 12 hour format (AM or PM).



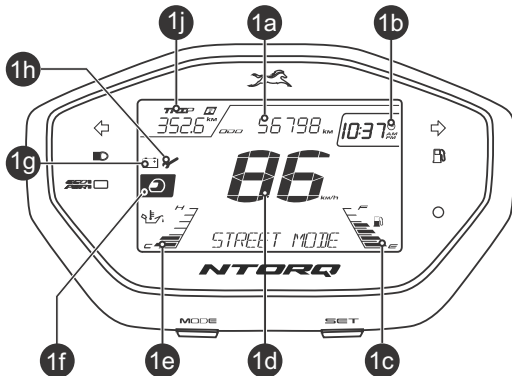
1c. Fuel gauge

Digital bars indicates the approximate quantity of fuel available in the fuel tank. There are six bars to indicate the quantity of fuel available in the tank.



i Note

If the battery is disconnected and reconnected during service. You may need to reset the time as explained in page No. 29.



All the six bars will be displayed when the fuel in the tank reaches above 5 liters approximately (full tank). When the fuel reaches half tank (3.3 liters approx.) the fuel gauge displays only three bars as shown.



When the fuel reaches minimum safe level (1.5 liters approx.), the last bar of the fuel gauge starts blinking and low fuel indicator starts glowing. The message 'FUEL ON RESERVE' will be displayed at alpha numeric display and 'TRIP F' meter starts counting from 0.0 km as explained in page No. 19.



i Note

Fuel level shown is only for reference purpose and users are not encouraged to calculate mileage of the vehicle using the same.

If the fuel level goes below minimum safe level (1.1 liters approx.) 'FUEL EMPTY' message will be displayed at alpha numeric display as shown.



i Note

If all the fuel level bars of the connected instrument cluster are blinking and an error message 'CHECK FUEL SENSOR' displayed at alpha numeric display as shown, Contact nearest TVS Motor Company Authorised Distributor or Dealer / Authorised Service Center.



1d. Speedometer

Indicates the vehicle speed in kilometer per hour by default when the ignition is turned ON.




1e. Engine temperature gauge

The temperature gauge displays the engine temperature in digital bars. There are six bars to indicate the engine temperature. All the six bars will be displayed if the engine temperature raises beyond normal operating temperature and a diagnostic message 'ENGINE WARNING' also will be displayed at the alpha numeric display as shown.

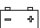


On occurrence of the above error message, the vehicle should be kept in idling for 10 minutes approx. and switch 'OFF' the vehicle. If the problem continues even after cooling the engine, take the vehicle to TVS Motor Company Authorised Distributor or Dealer / Authorised Service Center and get it rectified.


1f. Helmet icon

With every ignition 'ON', Helmet icon '  ' blinks for 10 seconds on the left side of the connected instrument cluster to remind the rider to wear a helmet.

1g. Low battery indicator

An icon with battery symbol '  ' glows when the battery charge is too low. Get the battery checked at TVS Motor Company Authorised Distributor or Dealer / Authorised Service Center.

1h. Service reminder

If the service is due, whenever the ignition is turned 'ON', a icon with spanner symbol '  ' blinks for 10 seconds after the self-check cycle of connected instrument cluster and continues to glow till the vehicle is serviced and the reminder is reset. Get the vehicle serviced at TVS Motor Company Authorised Distributor or Dealer / Authorised Service Center.

Note

Low battery and service reminder indicator works on all the modes of the connected instrument cluster.



1j. Trip A and B

Trip meter indicates the trip distance traveled in kilometer. The digit after the dot mark denotes one tenth of a kilometer.

Provision is provided for the users to measure two different distances as per their convenience.



In street mode, 'TRIP A' will be displayed by default. Press mode button once to enter 'TRIP B'. To reset any of the trips (A or B), press the 'SET' button more than 3 seconds while display is in the respective trip in vehicle static condition only.

Trip F



This function shows the distance traveled after the low fuel indication symbol (⏸) is 'ON' and 'FUEL ON RESERVE' message displayed at alpha numeric display.

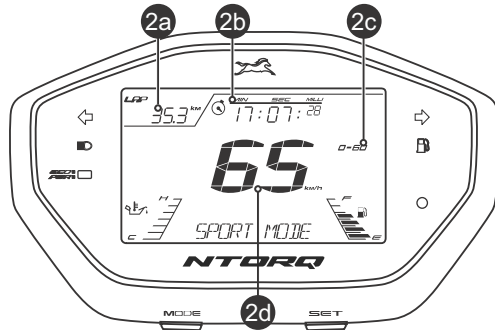
The display switches automatically to 'TRIP F' once the low fuel indication is 'ON' and starts counting from 0.0 km.

If the fuel level remains in minimum safe (reserve) level, the reading will be saved even after the ignition 'OFF'.

The 'TRIP F' meter stops counting and gets cleared automatically once the fuel is filled above minimum safe (reserve) level which is indicated by at-least 2 bars in the fuel gauge. Once TRIP F is cleared, Trip A / B display switches ON automatically. **Please remember that the 'TRIP F' meter cannot be activated or deactivated manually and can't be reset.**

On every ignition ON, 'TRIP F' meter will get enabled automatically until fuel level raises above minimum safe level. 'TRIP A' and 'TRIP B' will still be accessed by short pressing the 'Mode' switch but the display will automatically enter 'TRIP F' after 5 seconds.

2. Sport mode



To enter into sport mode, short press the 'Mode' button in street mode while 'Trip B' in display.

In sport mode, the following features will be displayed on the connected instrument cluster :

- 2a. Lap distance
- 2b. Lap timer
- 2c. Shortest time indicator
- 2d. Speedometer (refer page No. 17)

i Note

One lap is considered from one ignition ON to OFF.

2a. Lap distance

LAP
32.0^{km}

The total distance covered by the vehicle in a particular lap will get captured in 'Lap distance' counter. Once the vehicle speed crosses 2 km/h, the lap distance counter starts counting distance automatically and stops when the speed goes below 2 km/h. If the speed increases again, the counter continues the distance counting. The lap distance counter ends when the ignition is turned 'OFF'.

2b. Lap timer

MIN SEC MILLI
18:78:05

Lap timer is the total time taken by the vehicle for completing a single lap.

Similar to lap distance, the lap timer also starts once the vehicle speed crosses 2 km/h and stops when the speed goes below 2 km/h indicated by blinking of lap timer '🕒' icon. If the speed increases again, the timer continues counting. The lap timer ends when the ignition is turned 'OFF'.

2c. Shortest time indicator

0-60
10.7s

Shortest time indicator records the minimum time taken to reach 60 km/h from start. The timer starts once the vehicle speed crosses 2 km/h and the time will be displayed on crossing 60 km/h speed.

i Note

Shortest time indicator data will be displayed only if the time taken to reach 0 to 60 km/h is less than 15 seconds. If the time taken is more than 15 seconds then the default time (15 seconds) will be displayed.

The values of sport mode can be reset by pressing 'SET' button for more than 3 seconds in vehicle static condition only.

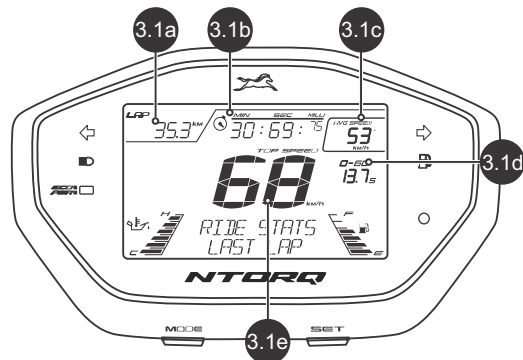
The value of shortest time indicator disappears automatically if the vehicle speed reduces below 2 km/h.

3. Ride stats mode

To enter into ride stats mode, short press the 'Mode' button in sport mode when the vehicle is static.

Following two features are available in ride stats mode.

- 3.1. Ride stats last lap
- 3.2. Ride stats best lap



i Note

In this mode, if the vehicle speed crosses above 2 km/h, the connected instrument cluster enters to 'STREETMODE' automatically.

3.1. Ride stats last lap

'RIDE STATS LAST LAP' appears by default on entering ride stats mode. The details displayed in this mode are as given below :

- 3.1a. Previous lap distance
- 3.1b. Previous lap timer
- 3.1c. Previous lap average speed
- 3.1d. Previous lap shortest time
- 3.1e. Previous lap top speed

3.1a. Previous race lap distance

Previous race lap distance is the total distance covered by the vehicle in the last lap.

3.1b. Previous race lap timer

Previous race lap timer is the total time taken by the vehicle to complete the last lap.

3.1c. Previous race average speed

Previous race average speed is the average speed of vehicle traveled during last lap.

3.1d. Previous race shortest time

Previous race shortest time is the shortest time taken to reach 0 to 60 km/h in the last lap. If there are more than one record in the same lap, the best value will be displayed.

3.1e. Previous race top speed

Previous race top speed is the top speed that the vehicle has achieved during last lap.

i Note

All the above details are recorded only when the vehicle is driven in sport mode.

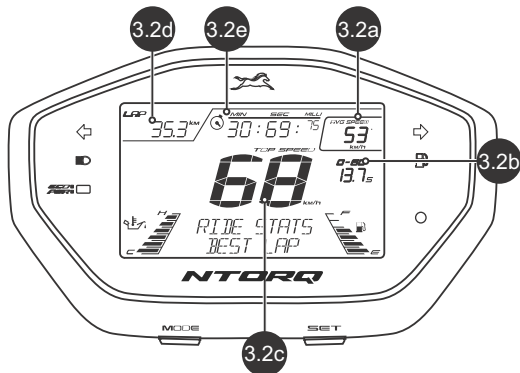
All the above values can be reset by pressing the 'Set' button for more than 3 seconds in vehicle static condition.

3.2. Ride stats best lap

To enter 'RIDE STATS BEST LAP' mode, press 'MODE' button once in 'RIDE STATS LAST LAP'. The details in this mode are as given below :

- 3.2a. Best average speed
- 3.2b. Best lap timer
- 3.2c. Best lap distance
- 3.2d. Best top speed
- 3.2e. Best shortest time





3.2a. Best average speed

'Best average speed' is the best average speed amongst the previously concluded laps.

3.2b. Best shortest time

'Best shortest time' is the shortest time taken ever to reach 0 to 60 km/h speed since the time of vehicle purchase or since last reset.

3.2c. Best top speed

'Best top speed' is the highest speed that the vehicle has reached since the time of vehicle purchase or since last reset.

3.2d. Best lap distance

'Best lap distance' is the total distance covered by the vehicle corresponding to the best ever average speed.

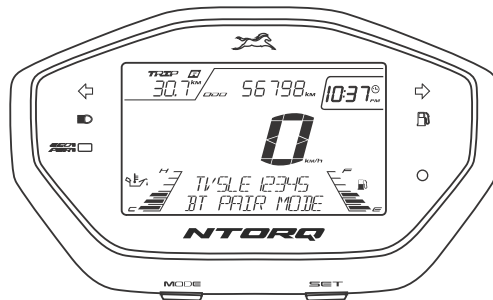
3.2e. Best lap timer

'Best lap timer' is the total time taken by the vehicle corresponding to the best ever average speed.

i Note

All the above values can be reset by pressing the 'Set' button for more than 3 secs in vehicle static condition.

4. BT pair mode



This mode can be entered by pressing 'MODE' button for 5 secs from STREET / SPORT mode.

The connected instrument cluster of your TVS NTORQ 125 can be connected to your Android™ smart phones and iPhone® via Bluetooth® through a **TVS CONNECT - (with country name)** app which can be downloaded from Google Play and the App Store®.



TVS CONNECT - xxxxxx

i Note

In this mode, if the vehicle speed crosses above 2 km/h, the connected instrument cluster will enter to 'STREET MODE' automatically.

Any number of Android phones can be auto-paired with the instrument cluster.

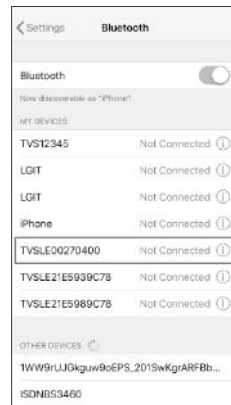
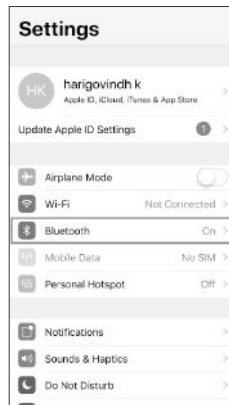
Only one iPhone can be auto-paired with a single instrument cluster at a time. If the user need to connect multiple iPhones with the single instrument cluster, the previous connected iPhone has to be forgotten by clicking, "Forget This Device" from Bluetooth settings in the iPhone.

i Note

If the vehicle battery is reset or fuse is blown, then too "Forget This Device" from Bluetooth settings in the iPhone has to be done.

Steps to "Forget This Device" in iPhone:

If the user needs to connect multiple iPhones with the single instrument cluster, the previous iPhone has to be forgotten using "Forget This Device" from Bluetooth settings in the following manner:



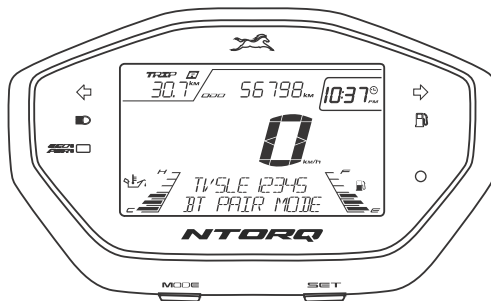
1. In the previous connected iPhone, open the SETTINGS-> BLUETOOTH.
2. Select the instrument cluster, which was connected previously.
3. Click on the "Forget this device".



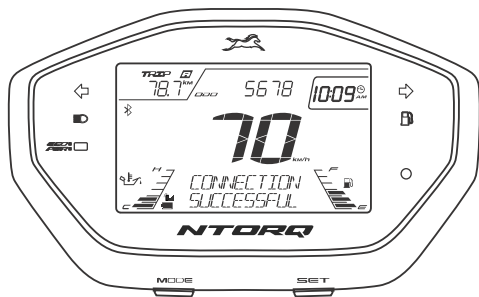
First time Bluetooth pairing

To pair your Android smart phone or iPhone with your TVS NTOBQ 125's connected instrument cluster, via Bluetooth, for the first time, follow the procedure as described below :

1. Switch 'ON' the vehicle.
2. Speedometer can be in any mode for first time pairing.
3. Open the app and press "**CONNECT**", ensure the smart phone is near to the vehicle.
4. The app searches for all Bluetooth devices nearby and displays the list of devices available.



- The connected instrument cluster's Bluetooth name is prefixed by TVSLE and followed by alpha-numeric digits. Ex : 'TVSLE12345'. This Blue-tooth name can be found by changing the cluster mode into BT pair mode.
- Now, select the 'TVSLE12345' in app to initiate the pairing process.
- On pairing, the alpha-numeric display of connected instrument cluster displays 'CONNECTION SUCCESSFUL' message for 3 secs and a Bluetooth icon '⌘' will be displayed on the speedometer. Additionally phone's battery icon and signal strength icon will be displayed on connected instrument cluster.



- For initiating first time pairing, logout from the app, login again using your login credentials and then press CONNECT.

i Note

During the course of pairing process, if there is any occurrence of error, the connected instrument cluster should be turned 'OFF' and 'ON', and the application also need to be restarted.

Please remember that, all the smart phones are not compatible for pairing with the TVS NTOUQ 125's connected instrument cluster.

During the search of Bluetooth devices in app, if the vehicle connected instrument cluster's Bluetooth device ID is not visible, try for one or two more iterations.



Auto pairing

Once the first time pairing is done between vehicle's instrument cluster and your smart phone, the phone will automatically pair with the vehicle when the following conditions are met :

1. Vehicle is switched 'ON' and vehicle is near to the smart phone.
2. Smart phone's Bluetooth is turned 'ON'
3. First time pairing is ensured.
4. In case of iPhone, the TVS CONNECT app should be open or be open in background for auto-pairing to happen.

Every time auto-pairing happens, app will open automatically and connect with the Instrument cluster. The connected instrument cluster shows 'CONNECTION SUCCESSFUL'.

CONNECTION
SUCCESSFUL

If your smart phone is disconnected from the vehicle's instrument cluster then Ex: 'JOHN DISCONNECTED' message will be displayed on the alpha-numeric display of connected instrument cluster.

JOHN
DISCONNECTED

Note

If the phone enters battery saver mode, auto-pairing might not happen. It takes maximum of five minutes for auto-pairing and it can happen in vehicle running or engine at idling or engine off condition.

Auto-pairing happens only if the application is locked in the RAM in multitasking screen of the phone with manufacture's customized OS (Ex : MI, Vivo etc.)




In case of Android phones with Android OS version above 8.0, for App to work seamlessly, any battery optimization setting to be removed in the TVS Connect App and GPS shall be allowed to run in background in high accuracy mode.

Even if your phone's Bluetooth is already paired to other gadgets like smart watch, health band or helmet, the auto-pairing works with your TVS NTOBQ 125's connected instrument cluster.

If the application unfortunately stops due to unforeseen circumstances, close and reopen the application and do the manual pairing for the first time, then auto pairing will happen subsequently.

i Note

For first time pairing, logout from the app, login again with your login credential and press CONNECT button.

Once the connected instrument cluster of your TVS NTORQ 125 is connected with your smart phone, the connected instrument cluster displays Bluetooth '  ' icon, your mobile's battery level '  ' icon and network providers signal strength '  ' icon.

i Note

In case multiple SIM cards are used in smart phone, by default, SIM 1's network provider's signal strength is shown in the display of connected instrument cluster.

Signal strength displayed in connected instrument cluster might vary from the display in smart phone as the former is referred from telephonic standards

Incoming call alert display ' '

The connected instrument cluster will display the incoming calls alerts from the smart phone via Bluetooth. Ex. 'CALL FROM AMIT', will be displayed if the contact is stored in the smart phone's otherwise number will be displayed. Ex. 'CALL FROM 9863571861'. The notification smart-connect notification LED (green LED) starts blinking on receiving the incoming call till the call is active.

CALL FROM CALL FROM
AMIT 9863571861

Missed call alert display ' '

The connected instrument cluster displays the total number of missed calls from the smart phone via Bluetooth 10 seconds approx., Ex. '3 MISSED CALLS'.

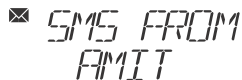
 03
MISSED CALLS

i Note

Number of missed calls (inclusive of user rejected calls) will be displayed at the end of each incoming call and it will be reset once a trip is completed and a trip report is generated in app or if app is closed.

SMS alert display '  '

The connected instrument cluster displays the incoming SMS from the smart phone via Bluetooth, Ex. 'SMS FROM AMIT', name of the sender will be displayed. The connected instrument cluster displays incoming SMS only if the number is stored in the contact list.



i Note

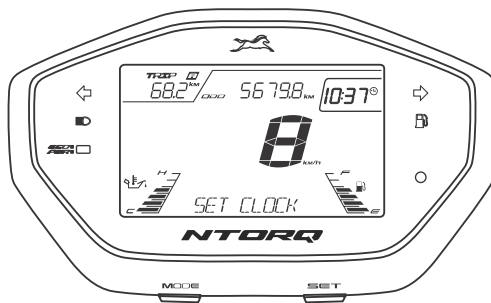
The SmartXonnect Notification LED (green LED) blinks for five seconds approximately whenever there is an incoming message.

SMS alert display is not applicable for iPhones.

5. Set clock mode

To enter the set clock mode, press 'Mode' button for more than 5 secs in Bluetooth pairing mode. The digital clock starts blinking once the connected instrument cluster enters the set clock mode.

- Press the 'Mode' button while the digital clock is blinking. The hour digits of clock starts blinking and enables you to change the hours.
- Press the 'Set' button to increase the hours while hour digits are blinking.
- On pressing the 'Mode' button again the hours gets set and the minute digits starts blinking.
- Now, press the 'Set' button to increase the minutes while minute digits are blinking.



- Once again press the 'Mode' button so the minutes of the clock is set and the hours format 'AM' or 'PM' starts blinking.
- Press the 'Set' button to change the hour format either to set 'AM' or 'PM'.
- Press the 'Mode' button once again to set clock and wait for 5 secs to come out of set clock mode.

Note

In this mode, if the vehicle speed crosses above 2 km/h, connected instrument cluster will enter to 'STREET MODE' automatically.

If no input is given for more than 5 secs while the set clock mode is in operation, the connected instrument cluster comes out of this mode automatically.

The clock time gets sync automatically on paring your Android smart phone and i phone with the connected instrument cluster provided if auto sync clock setting is enabled in app.

TVS CONNECT APP



Dedicated smart phone app is available in the Google Play and the Apple store for your 'TVS NTORQ 125' and it can be installed in your Android and Apple smart phones. To access the features of your TVS NTORQ 125's connected instrument cluster like :

- Incoming call alerts in connected instrument cluster.
- Incoming SMS alerts in connected instrument cluster (applicable only for Android smart phones).
- Number of missed call alerts in connected instrument cluster.
- Battery status of your smart phone in connected instrument cluster.
- To send auto reply SMS to the callers via smart phone (applicable only for Android smart phones).
- "Do Not Disturb" mode during the ride (applicable only for Android smart phones).
- To send navigational assist instructions inputs to the connected instrument cluster from your smart phone.
- To save the last traveled route.

- To locate the last parked location of your TVSNTORQ 125.
- To know the signal strength of your mobile network in connected instrument cluster.
- To generate and store Ride reports.
- To sync the connected instrument cluster clock with smart phone clock.
- To control the background illumination of the Instrument cluster.

This dedicated mobile app of your TVS NTORQ 125 can be downloaded from the Google Play and the App Store[®] by searching the key word '**TVS CONNECT - (country name)**' else by scanning the below QR code.



Srilanka QR code



Nepal QR code

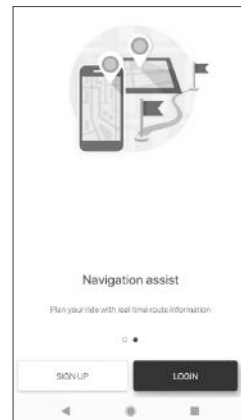
Note

This smart phone app is compatible only for the smart phones with Android OS version Kitkat (4.4) and

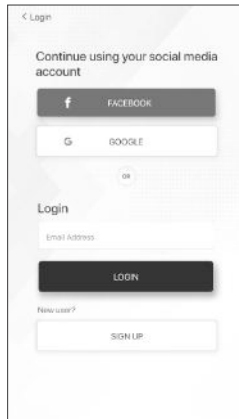
*above, iOS version 11 and above and the BLUETOOTH version 4.0 and above. **Android and Google Play are trademarks of Google LLC. App Store[®] and iOS are trademark of Apple.***

How to login

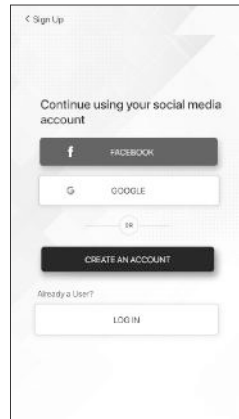
On opening the **TVS CONNECT** app the following introductory screens will be displayed.



Move to the last screen where you will find the 'SIGN UP' and 'LOGIN' tab. If you are having login already then press login tab. A screen with various login options opens-up as shown.



The screenshot shows the 'Login' screen. At the top, there is a back arrow and the text '< Login'. Below this, it says 'Continue using your social media account'. There are two buttons: a dark grey one with a Facebook 'f' icon and the text 'FACEBOOK', and a white one with a Google 'G' icon and the text 'GOOGLE'. Below these is an 'OR' separator. Underneath, there is a 'Login' section with an 'Email Address' input field and a dark grey 'LOGIN' button. At the bottom, there is a 'New user?' section with a white 'SIGN UP' button.



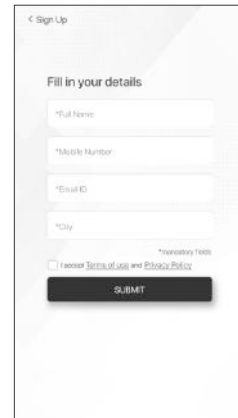
The screenshot shows the 'Sign Up' screen. At the top, there is a back arrow and the text '< Sign Up'. Below this, it says 'Continue using your social media account'. There are two buttons: a dark grey one with a Facebook 'f' icon and the text 'FACEBOOK', and a white one with a Google 'G' icon and the text 'GOOGLE'. Below these is an 'OR' separator. Underneath, there is a dark grey 'CREATE AN ACCOUNT' button. At the bottom, there is a section 'Already a User?' with a white 'LOGIN' button.

You can login using your social media logins like FACEBOOK and GOOGLE+ or using your mobile number which has been registered already.

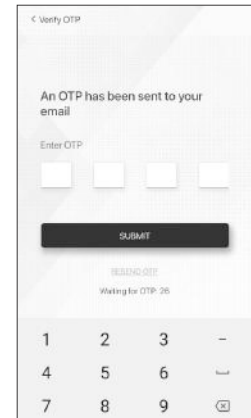
If you are a new user then press the sign up tab where you will find various options for registering using your social media logins like FACBOOK and GOOGLE+ or a tab for creating new account.

Using your social media logins you can create new login else press the 'CREATE AN ACCOUNT' tab.

On pressing the 'CREATE AN ACCOUNT' tab, a screen opens with various input details. Feed in your details and submit. On submitting the details a screen opens with one time password (OTP) entry.

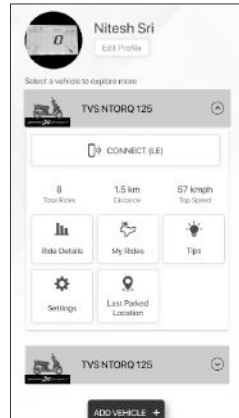
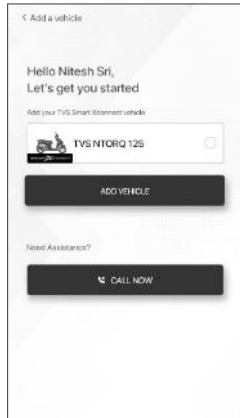


The screenshot shows the 'Sign Up' screen with the heading '< Sign Up' and 'Fill in your details'. It contains several input fields: '*Full Name', '*Mobile Number', '*Email ID', and '*City'. Below these is a checkbox for 'I have read Terms of use and Privacy Policy' with a link to '*mandatory field'. At the bottom is a dark grey 'SUBMIT' button.



The screenshot shows the 'Verify OTP' screen with the heading '< Verify OTP' and 'An OTP has been sent to your email'. It has an 'Enter OTP' section with four input boxes. Below is a dark grey 'SUBMIT' button. At the bottom, it says 'RESEND OTP' and 'Waiting for OTP: 26'. There is a numeric keypad with digits 1-9, 0, and a backspace icon.

Enter the OTP which is received from TVS Motor Company Limited sent to the registered email id and submit.



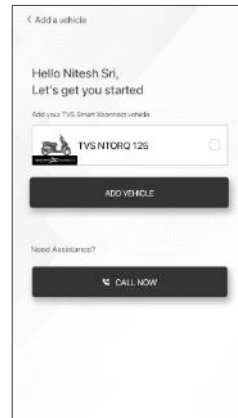
After successful verification, the Home screen of the app opens.

i Note

Please remember that the Navigation License has to be renewed after 5 years of vehicle purchase and renewal can be done by contacting near by Dealer end.

Add vehicle

Add vehicle tab allows you to add any of your TVS bikes by selecting the vehicle variant, then press the add vehicle tab.



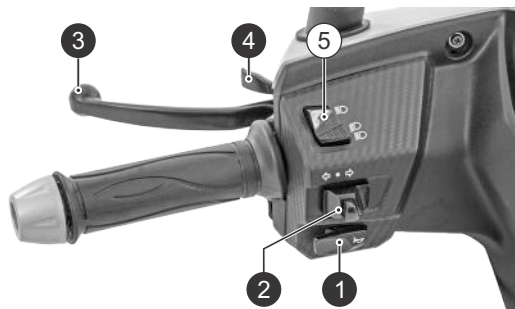
HANDLE BAR LEFT SIDE

1. Horn switch

Press the switch '📢' to operate the horn.

2. Turn signal lamp switch

Slide the turn signal lamp switch to left '↶' or right side '↷' to operate respective turn signal lamps (LH / RH). Press the center button of the switch to turn 'OFF'.



Warning

Always use the appropriate turn signal lamps when you intend to change lanes or take turns. Be sure to switch it 'OFF' after negotiating the lanes or turns.

3. Rear brake lever

The rear brake is applied by squeezing the rear brake lever gently towards the handle grip (the front brake also gets applied on applying the rear brake incase of front drum brake version because SBS system). The brake lamp glows on application of rear brake .

Warning

Since the front drum version scooter is fitted with SBS brake system, it is essential to maintain the brake system in good condition. Adjust the brakes system at periodical intervals for the proper working of SBS (refer page no. 58).

4. Rear brake lock lever

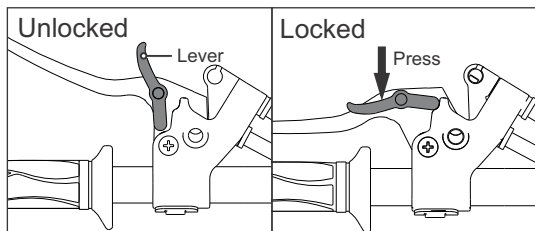
Rear brake lock is useful when your scooter is parked with side stand on a slope to avoid falling.

To apply the rear brake lock, squeeze the rear brake lever fully towards the grip. Hold the brake lever at the same position, press and hold the brake lock lever. Now release the brake lever and ensure that the brake is locked properly.

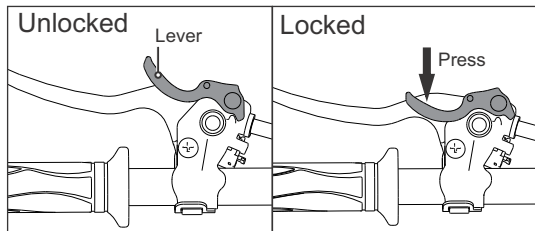


To release the rear brake lock, squeeze the rear brake lever further in and the lock will release automatically, release the brake lever upon releasing the brake lock.

Rear brake lock lever (SBS version)



Rear brake lock lever (Disc version)



i Note

Ensure that the brake lock lever is released (if applied) before start riding the vehicle.

5. High/low beam cum pass by switch

With the head lamp 'ON', Press the switch towards 'H' to operate head lamp high beam or press it towards 'L' to operate head lamp low beam.

TVS NTOUQ 125 has a combined switch for head lamp 'high/low' beam and pass by.

To operate the pass by, keep the switch in 'low beam' position, press gently and release. This makes the head lamp high beam to flash and signal the approaching vehicle. The pass by signal will be helpful while overtaking.

! Warning

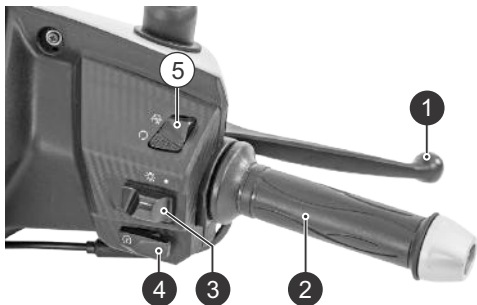
Use appropriate head lamp beam 'high / low' as per the traffic and road conditions for your safety and avoid inconvenience to other riders.

HANDLE BAR RIGHT SIDE

1. Front brake lever

In case of SBS model the front brake will be applied directly while squeezing the front brake lever gently towards the throttle grip.

In case of disc brake model the brake lever controls a hydraulic circuit while squeezing and operates the front braking system. The brake lamp glows on application of front brake in both the models.



2. Throttle grip

Engine speed is controlled by the rotation of the throttle grip. Twist it towards you to increase the engine speed and twist it away from you or release it to decrease the engine speed.

3. Lights switch

Light switch has the following positions. Working of switch at various position are as follows :

OFF : Head lamp is turned 'OFF' when the switch is positioned at '●' even though the engine is running.

ON: When the switch is positioned at '☀️' head lamp glows while the engine is running. The DRL intensity reduces to 50% on switching on the head lamp.

4. Electric starter switch

Press the starter switch '⚡️' to start the engine electrically along with the application of either front or rear brake.

5. Engine cut off switch**

It is used to switch off '⊗' the engine but to keep other DC system active. The ignition circuit is disabled, preventing the engine from being restarted. To reset the engine, return the switch to the '⌚️' position.

** Applicable only for Disc Brake version



i Note

Before starting, ensure to turn ON the engine cut off switch.

Release the electric starter switch immediately after the engine has started.

LED DAY TIME RUNNING LAMP (DRL)

TVS NTOUQ 125 comes with a day time running LED lamp which glows automatically once the ignition is turned 'ON' and continue to glow with 50% intensity when the head lamp is turned 'ON'.



FUEL TANK[†] CAP

Fuel tank is located at the rear end of the vehicle below the pillion holder.

To open the fuel tank cap, insert the control key into the 'seat cum fuel tank cap lock' and turn it in anti-clockwise direction. The fuel tank cap opens automatically. To close the cap, gently press the cap back to its position and ensure locking of the cap by hearing '**click**' sound.



[†] The fuel tank is not a measuring instrument and the capacity of the fuel tank may slightly vary from the indicated capacity.

Warning

Never refill fuel near open flame. Do not smoke while refueling. Do not use cell phones while refueling.

Caution

Ensure that the fuel gun is inserted fully in the tank neck while refueling.

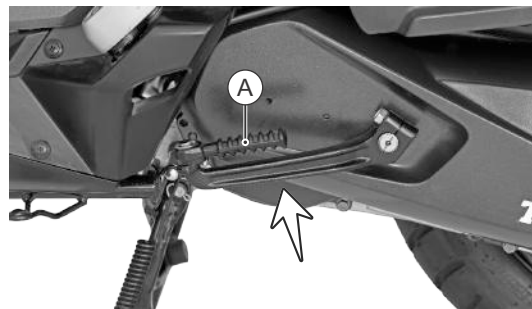
Whenever refueling, fill upto the bottom of neck portion (insert level) of the fuel tank. Filling above the neck may result in improper breathing of fuel tank and seepage of fuel.

While refueling, avoid spillage of petrol on the tyre. If fuel spills on tyre, the tyre will loose its grip on the road. Ensure to close fuel tank cap without fail to avoid fuel spillage.

KICK STARTER LEVER

The kick starter lever is located on the left side of the vehicle. To start the vehicle, keep the ignition in 'ON' condition and apply the rear brake as a safety precaution to prevent the rear wheel rotation.

Move the lever extension (A) outwards and keep your foot on the lever extension. **Kick the lever from top and stroke to bottom with rapid motion.** Push back the lever extension to its original position once the vehicle is started.



Note

The vehicle can be started using kick starter lever by sitting on the vehicle itself.

EFFORTLESS E-Z CENTRE STAND

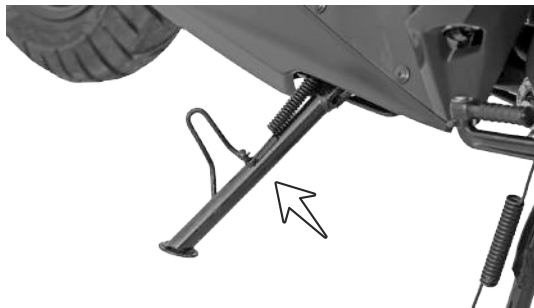
TVS NTORQ 125 is equipped with a effortless centre stand. The centre stand (1) has a pivoted flexible spring loaded lever arm (stand extension) (2) to increase the lever ratio, which enables parking on centre stand effortlessly and very conveniently.



To place the vehicle on centre stand, hold the handle bar left grip with left hand, place your foot firmly on the centre stand extension (2) while ensuring that both the stand shoes are touching the ground, press the stand extension.

SIDE STAND

Side stand can be operated by sitting on vehicle with your left foot by pushing it away from the vehicle till it stops.



Warning

Always release the side stand to its full up position before moving the vehicle.

Caution

Never sit on vehicle when it is supported by stands. Always park the vehicle on a flat, firm surface.

TOOL KIT

To assist you in performing certain aspects of periodic maintenance and emergency repairs, a tool kit is supplied along with the vehicle and it is located below the seat base. To access the tool kit, insert the control key into seat lock and rotate it in clockwise direction. Lift and open the seat.

The tool kit consists one number each of the following. Ensure the contents of the tool kit.

1. 10x12 mm spanner
2. Combination screw driver bit
3. Screw driver handle
4. Tool bag



Caution

It is recommended to use the tool kit in case of any emergency only. It is always advisable to take your vehicle to TVS Motor Company Authorised Distributer or Dealer / Authorised Service Center.

UTILITY BOX

Utility box is located below the seat. Lift the seat by unlocking the seat lock as explained in the previous page, to access the utility box. A separate cover (A) is provided inside the utility box. Remove this cover to access the carburettor for servicing purpose.



Warning

Operating the TVS NTORQ 125 overloaded will hamper riding stability and may lead to loss of control. Hence, it is advisable to carry the recommended amount of load only.

Caution

Utility box can be used to carry a load of 10 kg maximum.

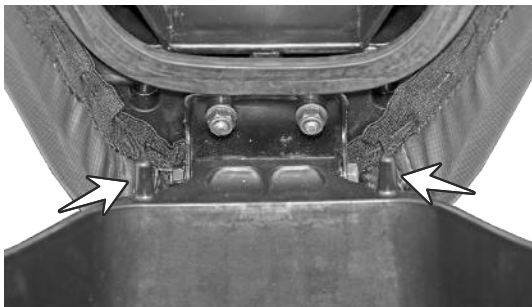
Do not carry perishable items inside the utility box. It is not fully sealed. Do not allow / spray water to get inside the utility box. Take care not to spill petrol or oil into the utility box.

*Do not keep **heat-sensitive items** inside as it may get hot on long rides.*

Do not keep valuable items inside the utility box when leaving the vehicle unattended.

HELMET HOOKS

Two helmet hooks are provided under the seat assembly at front end near the seat hinge to secure your helmet. Open the seat assembly (refer page no. 40) to access the helmet hooks. Hook the helmet strap in the helmet hook properly and close the seat assembly.



BAG HOOKS

There are two bag hooks provided with your scooter to carry light luggage like carry bags weighing upto 3 kg. One hook is located below handle bar on the rear panel.

Just pull out the hook from the top (A) to hang your luggage. Push back the hook once it is free.

Similarly, the other one is located on the cover front below front end of the seat assembly. Pull out the hook from its position. Open the top lid and hang your cargos. Lid will get close automatically. Push back the hook to its original position once it is free.



Caution

Care should be taken not to attach the luggage which hangs out of your scooter. Please note that the luggage attached to your scooter should not interfere your feet movement.



SMART PHONE CHARGER CUM UTILITY BOX LIGHT

All new smart phone charger cum utility box light has been provided in the utility box of your vehicle (refer page no. 41). Please follow the guidelines mentioned below for using it properly:

DO's

1. Ensure that no water enters into the unit, by closing the USB flap properly.
2. Ensure that the utility box light glass is not damaged while accessing the utilities.
3. Use the USB, if approved standard USB cable used for charging mobile.



4. Do make sure the flap is not damaged while opening / inserting the USB cable.

DON'Ts

1. Do not leave the USB charging flap open / partially closed.
2. Do not attempt to use / charge any other device, other than mobile phones. Only one mobile phone should be charged at a given time.
3. Do not slam / forcefully close the seat as it may permanently damage the utility box light switching mechanism.
3. Do not try to force the USB connector in, check whether it is inserted in the appropriate direction, to prevent the damage to the charger.
4. Do not charge your mobile when engine is off.



Caution

*The charging time of the mobile may vary, depending on the mobile's battery state of charge. The rubber flap in the unit has been designed to prevent water entry and is not replaceable. **No warranty for charger in case of rubber flap cut.***

PRE RIDE INSPECTION

Check the following items before riding.

ITEM	WHAT TO CHECK FOR
Engine oil	Availability of oil upto the level (page no. 56)
Transmission oil	Availability of oil upto the level (page no. 57)
Fuel	Enough fuel for the planned distance of running
Tyres	Correct pressure (page no. 63) Adequate tread depth / No cracks or cuts.
Battery	Proper working of electric starter, horn, fuel gauge, pass by, brake lamp and turn signal lamps. Battery voltage (page no. 52)
Lighting	Proper working of head lamp high / low beam, DRL, high beam indicator, position lamps, connected instrument cluster back illumination, tail lamp and number plate lamp.
Steering	Smooth movement / no play or looseness
Throttle	Correct free play of cable / smooth operation
Brakes	Correct front and rear brake lever play (page no. 58 & 61) Availability of brake fluid and proper working of brake (page no. 60)**
Wheels	Free rotation of front and rear wheels

** Applicable only for Disc Brake version

STARTING THE ENGINE

Ensure availability of adequate fuel in the fuel tank. Insert the control key into the ignition cum steering lock and turn it to the 'ON' position. Turn the engine cut off switch to the 'O' position**. Apply any one of the brake and press the electric starter switch to start electrically or kick start.

When the engine is cold

- Start the engine using electrical starter / kick starter with no opening / very less opening of throttle. The auto-choke of the scooter helps in starting the vehicle with ease.

Caution

Do not keep the engine in idling rpm for long and do not open excessive throttle when the vehicle is on side stand or off stand with brakes applied condition. It leads to overheating of engine and damage to the internal components.

** Applicable only for Disc Brake version

SETTING THE VEHICLE IN MOTION

1. Twist the throttle grip slowly towards you and simultaneously release the brake lever gently and smoothly. The vehicle will start moving forward.
2. As the vehicle picks up speed, increase the throttle slowly.

Warning

Do not raise the throttle rapidly so the vehicle will move forward suddenly and lead to loss of control.

STOPPING AND PARKING

1. Close the throttle completely and apply both the brakes simultaneously.
2. Turn engine cut off switch to 'OFF' position.**
3. Turn the ignition 'OFF'.
4. Park the vehicle on a firm, flat surface.
5. Lock the steering and take out the control key.

Warning

Reduce the speed to a safe limit before turning / cornering. Do not apply brake while turning / cornering.

FUEL RECOMMENDATION

Use BS IV / unleaded petrol only. The petrol should be 85 to 95 octane by research method. Use recommended fuel additives for longer life of engine components and lower maintenance. Petrol mixed with ethanol will have impact on engine components. Contact your TVS Motor Company Authorised Distributor or Dealer / Authorised Service Center for usage.

Caution

Never mix oil in petrol in the fuel tank. Always fill fuel from the reputed and reliable fuel stations.

Note

Use fuel additives in petrol as recommended by the respective manufacturer for low carbon deposition.

CHECKS AND TIPS FOR IMPROVING FUEL ECONOMY

Regular checks

Carry out the periodic maintenance checks as specified in this manual (page no. 49 to 51).

Regular maintenance checks will save fuel and ensure trouble-free, enjoyable and safe riding besides keeping environment clean.

Spark plug

A dirty or defective spark plug leads to wastage of fuel due to incomplete combustion. Clean and adjust the spark plug only if necessary.

Replace the spark plug every 12000 kms (1 year). Always use recommended spark plug only.

Air cleaner element

A dirty air cleaner element restricts airflow and increases fuel consumption. **Replace the element every 12000 kms.**

Since foam and paper type air filter element is used in your scooter, it is recommended to clean the foam filter element using mild compressed air from inside **every 3000 kms**. Replace the filters incase found any abnormalities.

Engine oil and Transmission oil

Dirty or less engine oil increases the friction between various parts of the engine and reduces the engine life, thereby increases the fuel consumption.

Running with low transmission oil will cause damage to the gears and bearings.

Regularly inspect the engine oil and the transmission oil for correct level and top-up if necessary. Get it replaced at regular intervals as per the maintenance schedule.

Fuel leak

Inspect and arrest fuel leaks if any from tank, carburettor and fuel lines. Loss of fuel due to leak may drain the fuel tank completely.

Evaporation

Vehicle parked in the hot sun leads to wastage of fuel through evaporation. Also, lower fuel levels in the tank will have increased evaporation and condensation of moisture inside.

Ensure to close fuel tank cap after every filling. If the fuel tank cap kept open for long time, it leads to safety and fuel loss.

Tyres

Low tyre pressure has adverse effect on the vehicle. The **drag on the vehicle** increases resulting decreased fuel economy. Further more, handling may be adversely affected.

Inspect the tyre pressure regularly (weekly) and inflate it to the recommended pressure (refer page no. 63). Never use tyres which are worn beyond the permissible limit.

Wheel freeness

Inspect and ensure the wheel freeness by rotating the wheel at least once in a week to avoid wastage of fuel.

Avoid unnecessary idling

While waiting for someone or stopping in signals for long time, if the engine is kept running at idle speed, it causes unnecessary wastage of fuel.

Avoid frequent braking

Anticipate corners and slopes as well as the traffic conditions. **Unnecessary and frequent braking will reduce the fuel economy. Never accelerate and apply brake simultaneously.** It leads clutch shoes wear and wastage of fuel.

Note

The on-road mileage of TVS NTORQ 125 is dependent on several factors like road condition, quality of fuel, riding speed, operation of brake, tyre inflation, maintenance / timely servicing of vehicle, load etc.. and hence will differ from the mileage given under standard test conditions such as made in recognised institute like ARAI.

MAINTENANCE SCHEDULE

The maintenance schedule indicates the intervals between periodic services. At the end of each interval, be sure to inspect, check, replace, adjust, lubricate and service as instructed. If the maintenance is not done periodically, it will result in rapid wear and severe damage to the vehicle. If the vehicle is used under high stress conditions such as continuous full throttle operation or is operated in dusty area, certain jobs should be performed more often to ensure reliability of the vehicle. Cylinder head, steering components, suspension and wheel components etc., are key items and require very special and careful servicing. TVS Motor Company Limited strongly recommends that the jobs as per the maintenance schedule be performed by your TVS Motor Company Authorised Distributor or Dealer / Authorised Service Center.

Periodic inspections may reveal one or more parts that may need replacement. Whenever replacing parts on TVS NTORQ 125, it is recommended that you use only the TVS Motor Company Genuine parts.

Caution

Proper running-in and maintenance are mandatory for making certain that your vehicle is reliable and gives optimum performance at all times. Make sure that the periodic maintenance is performed thoroughly in accordance with the instructions given in this owner's manual.

In more dusty areas, the air filter elements required early inspection than the mentioned kilometers to avoid costly damages to the engine. If the elements are found with excessive dirt / clogged with dust, clean foam and paper elements using mild compressed air from inside. Replace the filters incase found any abnormalities.



PERIODIC MAINTENANCE SCHEDULE (months or km whichever occurs earlier)

Item	Service km Period from the date of sale	Service					Remarks	
		1st 500-750 2 months	2nd 2500-3000 4 months	3rd 5000-6000 8 months	4th 8500-9000 12 months	Every 3000 km		Every 6000 km
Engine oil		R	I & T	R	I & T	I & T	R	
Oil filter (strainer)		C	-	C	-	-	C	
Transmission oil		R	I & T	R	I & T	I & T	R	
Spark plug		C & A	-	-	-	-	-	Replace every 12000 km
Air cleaner (foam element)		I & C	I & C	I & C	I & C	I & C	-	Replace every 12000 km (as a set)
Air cleaner (paper element)		I	I	I	I	I	-	Replace every 12000 km (as a set)
Air cleaner oil collection tubes		-	I & DR	I & DR	I & DR	I & DR	-	Drain oil if necessary
CVT filter element ¹		-	-	I & C	-	-	I & C	Replace every 12000 km
Tappet clearance		I & A	-	I & A	-	-	I & A	Adjust if required
Carburettor assembly ²		C & A	-	-	-	-	-	C & A every 12000 km
Carburettor breather hose		I	I	I	I	I	-	Inspect for routing & blockage
Drive belt and CVT rollers		-	-	-	-	-	-	Replace every 24000 km
Cover variator ³		-	-	I, C & L	-	-	I, C & L	
Clutch shoe		-	-	-	-	-	-	Replace every 24000 km
Hose fuel		I	I	I	I	I	-	Replace every 3 years
Front and rear suspension		I	I	I	I	I	-	Inspect for proper functioning
All control cables ⁴		I, A & L	I, A & L	I, A & L	I, A & L	I, A & L	-	

¹ Inspect for damage ² Clean and adjust every 12000 km after first service

³ Clean the cover with air. Lubricate kick starter with Bechem grease

Contd...

Item	Service km Period from the date of sale	Service					Remarks	
		1st 500- 750 2 months	2nd 2500-3000 4 months	3rd 5000-6000 8 months	4th 8500-9000 12 months	Every 3000 km		Every 6000 km
Throttle grip		–	–	L	–	–	L	Lubricate using grease
Steering smooth operation / play		I & A	–	–	–	–	–	C, L & A with fresh grease every 12000 km
Front fork oil		–	–	–	–	–	–	Replace every 24000 km
All fasteners		I & TI	I & TI	I & TI	I & TI	I & TI	–	
All bulbs, horn and switches		I	I	I	I	I	–	Inspect for proper functioning
Head lamp beam		I & A	I & A	I & A	I & A	I & A	–	
Battery voltage ⁵		I	I	I	I	I	–	
Brake effectiveness / play		I & A	I & A	I & A	I & A	I & A	–	Refer page no. 58 for details
Brake cam		–	–	C & L	–	–	C & L	Lubricate using grease
Brake pad wear**		I	I	I	I	I	–	Replace if necessary
Brake fluid**		I & T	I & T	I & T	I & T	I & T	–	Replace every 21000 km
Brake hose**		I	I	I	I	I	–	Replace every three years
Master cylinder cups**		–	–	–	–	–	–	Replace every 21000 km
Wheel freeness		I	I	I	I	I	–	
Front wheel bearing		–	–	–	–	–	–	Lubricate using grease every 12000 km
Tyre pressure at cold condition		I & S	I & S	I & S	I & S	I & S	–	
Engine idling RPM		I & S	I & S	I & S	I & S	I & S	–	

⁴ Inspect for proper operation and adjust play. Lubricate ends using grease

** Applicable only for Disc Brake version

⁵ Recharge if necessary with MF battery charger

Contd...

Item	Service km Period from the date of sale	Service					Remarks
		1st 500- 750 2 months	2nd 2500-3000 4 months	3rd 5000-6000 8 months	4th 8500-9000 12 months	Every 3000 km	
Idling CO% ⁶	I & S	-	-	-	-	-	
Centre / side stand pivot	L	L	L	L	L	-	Lubricate using TRU4 oil
Kick starter pedal pivot	L	L	L	L	L	-	Lubricate using TRU4 oil

⁶ Idling CO% should be set with the help of exhaust gas analyser and tachometer only

R - Replace; I - Inspect; T - Top up; C - Clean; A - Adjust; DR - Drain; L - Lubricate; TI - Tighten; S - Set

RECOMMENDED LUBRICANTS

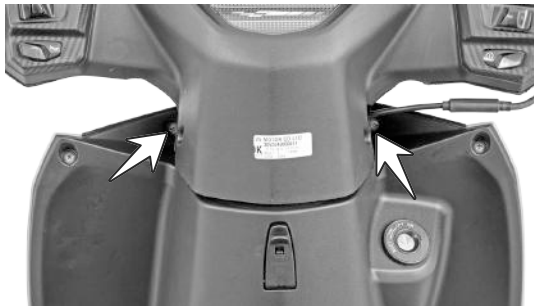
Application	Qty	Manufacturer	Brand
Engine oil	880 ml (during regular service) 930 ml (incase of disassembly)	TVS Motor Company	TVS TRU4 SKUUTA oil (SAE 10W30 API-SL, JASO MB)
Transmission oil	120 ml (during regular service) 130 ml (incase of disassembly)	-do-	-do-
Front fork oil	91 ± 1 cc / leg	IOC / HPCL	Gabriel front fork fluid
Disc brake fluid	-	TVS	DOT 3 / DOT 4
Grease	-	Bharat petroleum IOC Bechem Kluber Lubrication	MP Grease no. 3 Servo Gem no. 3 Bechem premium 3 Kluber Centoplex 2
Fuel additives	As recommended		IFTEX

SELF - MAINTENANCE PROCEDURES MAINTENANCE FREE (MF) BATTERY

Battery is located at the front of vehicle inside the front plane. The front panel must be removed to access the battery.

Follow the procedure for removal:

1. Remove the front panel mounting screws.
2. Gently pull out the front plane by dislocating its lugs.
3. Reassemble the parts in the reverse order of dismantling.



Since the maintenance free battery is fitted on your vehicle it is not necessary to top-up with the distilled water.

But to ensure the battery performance and long life, follow the steps given below:

1. Check the battery voltage as per the schedule. If the voltage is less than 12.4 volts, charge the battery using **recommended MF battery charger** at TVS Motor Company Authorised Distributor or Dealer / Authorised Service Center.
2. Do not add any additional electrical accessories.

3. While connecting the terminals, observe the correct polarity. Connect the red wire to the '+' terminal and black wire to the '-' terminal of the battery.
4. Petroleum jelly must be applied at terminals to prevent it from corrosion.

In case of any abnormality or for removal of battery from the vehicle, contact TVS Motor Company Authorised Distributor or Dealer / Authorised Service Center.

Caution

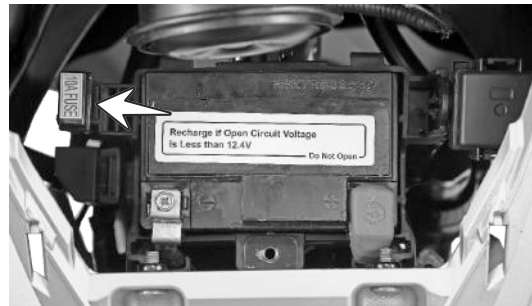
Never check the battery charge by shorting the terminals. Always connect the positive terminal first (red wire) and then negative (black wire) to avoid sparking.

The inversion of the battery wires can damage the battery and the recharging system. Always connect the positive then negative to avoid sparking.

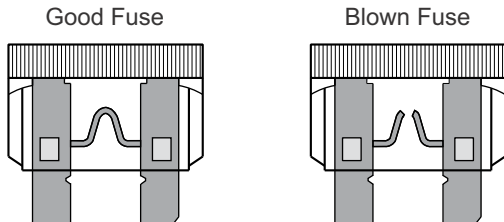
FUSE REPLACEMENT

Non-working of electrical systems may be due to safety fuse failure. Short circuit or overload in the electrical system are the main causes for fuse failure. Follow the procedure given below for inspecting and replacing the fuse.

1. Turn 'OFF' the ignition.
2. Remove the front panel as explained earlier.
3. Take out the fuse case near from the battery.
4. Open the fuse case and pull out the blown fuse.
5. Replace the blown fuse with a new (extra fuse is provided in the wiring harness itself in a pouch).
6. Close and refit the fuse case back to its position.



- Turn 'ON' the ignition lock and check for proper functioning of the electrical systems. In case the fuse fails again, consult the nearest TVS Motor Company Authorised Distributor or Dealer / Authorised Service Center.



Caution

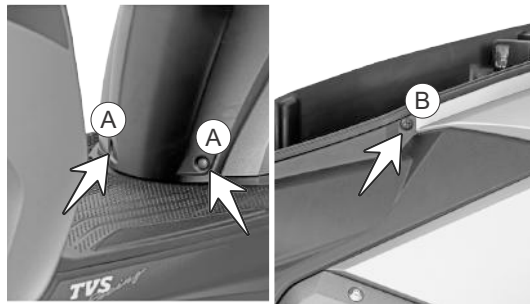
Do not use vehicle by shorting the wires without fuse. This may result in overheating of electrical items / wiring and may result in fire of vehicle.

Do not use fuse of higher amperage than specified for the safety of electrical system.

SPARK PLUG

To access the spark plug, the cover front has to be removed. Follow the bellow procedure to remove the cover front.

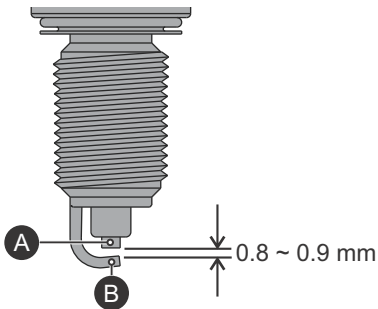
- Remove the bottom mounting screws (A) of cover front.
- Open the seat and remove the top mounting screws (B) from both the sides of cover front.
- Gently pull out the cover front by dislocating its lugs.
- Clean the dust and mud around the spark plug mounting to avoid falling inside the cylinder.



5. Pull out the suppressor cap from spark plug. Using the spark plug spanner, remove the spark plug.

A spark plug with heavy carbon deposits will not produce strong sparks. Hence, only if necessary, clean the carbon deposits from the spark plug with a small wire brush or spark plug cleaning tool.

Inspect the spark plug electrodes (A) and (B) for any corrosion. If found any replace the spark plug with new. Visually inspect the spark plug gap. The gap should be **0.8 ~ 0.9 mm**. If the gap is found to be more than the limit replace the spark plug with a new one.



After cleaning and inspecting the gap, reinstall the spark plug and tighten by hand to avoid cross threading. Finally tighten using spark plug spanner. Do not over tight or cross thread the spark plug.

Caution

*Always use only recommended make and type of spark plug. **Replace spark plug every 12000 km.***

Don't remove the spark plug when the engine is hot. Cover the spark plug hole with a cloth when the plug is removed to prevent entry of dust/water.

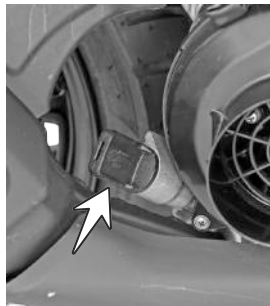
Do not try to adjust the spark plug as it may damage the plug. Replace the plug if the gap is found more.

It is advisable to tighten the new spark plug by hand till the end, using plug spanner tighten by 1/4 turn. Then loosen the plug by 1/8 turn and re-tighten using plug spanner.

ENGINE OIL LEVEL

Check the engine oil level periodically.

1. Place the vehicle on centre stand on a flat surface. Wipe-off the surroundings of gauge oil level.
2. Remove the gauge and wipe it clean.
3. Fix the gauge back to its mounting hole. Do not thread in.
4. Take out the gauge and check the oil level. The level should be between minimum and maximum level marks of the gauge (shown in the figure).
5. If the oil is less than the minimum level, add 'TVS TRU4 SKUUTA oil' (SAE 10W30 API-SL, JASO MB) oil upto the maximum level mark.



6. Wipe out the oil traces with a clean cloth to prevent dust accumulation.
7. Assemble back the gauge oil level.



Caution

If the vehicle is driven with less engine oil, the engine components will be severely damaged.

Check the oil level as per the schedule to avoid costly damage. Do not fill excess oil may cause oil leak. Always use 'TVS TRU4 SKUUTA oil - SAE 10W30 API-SL, JASO MB' only.



TRANSMISSION OIL - LEVEL

Check the transmission oil level periodically.

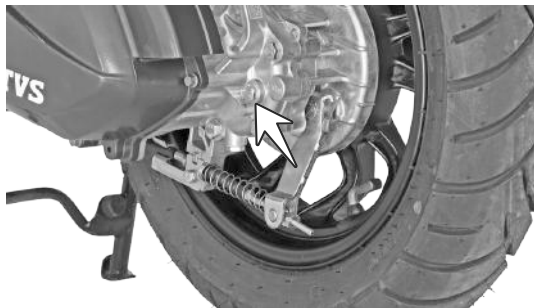
1. Place the vehicle on centre stand on a flat surface.
2. Wipe-off the surroundings of oil level screw.
3. Remove the transmission oil level screw along with a gasket from the rear end of crankcase L.
4. Check for the flow of oil from oil level hole.
5. If the level is less (if there is no oil flow), top-up with 'TVS TRU4 SKUUTA oil - SAE 10W30 API-SL, JASO MB' till the oil just starts to flow out from the oil level hole.
6. Wipe out the oil traces with a clean cloth to prevent dust accumulation.

7. Replace the fibre washer while reassembling the oil level screw.

Caution

If the vehicle is driven with less transmission oil, the transmission components of engine will be severely damaged.

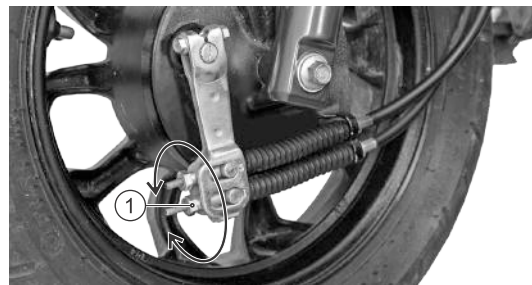
Check the oil level as per the schedule to avoid costly damage. Do not fill excess oil may cause oil leak. Always use 'TVS TRU4 SKUUTA oil - SAE 10W30 API-SL, JASO MB' only.



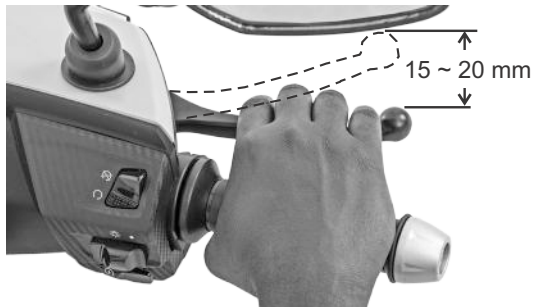
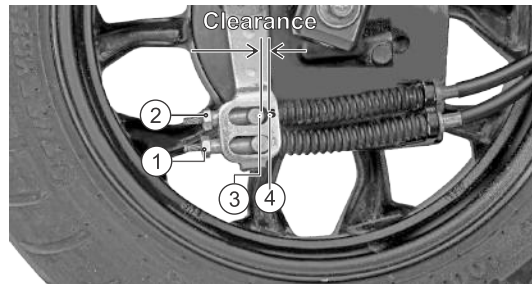
BRAKES

Front brake - SBS type

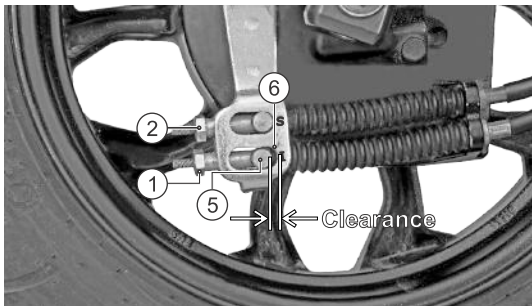
1. Measure the free play of the front brake lever at lever end as shown in the figure.
2. The free play of the lever before the engagement of brake should be between 15 ~ 20 mm.
3. Turn the adjuster nut at the bottom side (1) in the slot marked as "I" in clockwise direction for reducing the free play or in anti-clockwise direction for increasing the free play.
4. After obtaining the necessary free play, inspect for the clearance between the bullet (3) and slot end (4) marked as "S" as shown in the figure.



5. If any clearance is found, turn the adjuster nut (2) at the top side in the slot marked as "S" in clockwise direction until there is no clearance between the bullet top (3) and the slot top (4).



- After adjusting the adjuster nut top, If any clearance is observed in between the bullet bottom (5) and the slot bottom (6) marked as "I" as shown, then turn the adjuster nut (2) in anti-clockwise until there is no clearance.



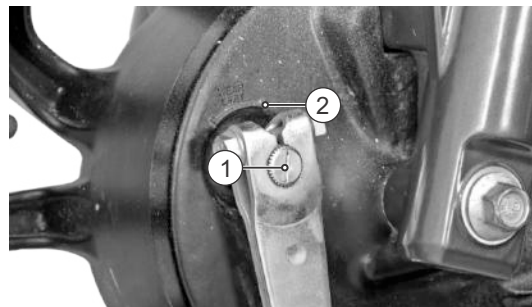
Since the vehicle is fitted with Synchronised Braking System (SBS) adjust the brakes with additional care. If not it may result in brakes not working properly. Please contact TVS Motor Company Authorised Distributor or Dealer / Authorised Service Center for any further assistance.

- Once again check and confirm the brake play at the lever end.

Brake shoe wear indicator (Front brake)

When the brake is applied, wear limit index mark (1) on the front brake cam should be within the wear limit indicator (2) on the front brake panel.

In case the wear limit index mark (1) is going beyond wear limit indicator (2), index the lever to next slot with the help of the Dealer to extend the shoe life.



Caution

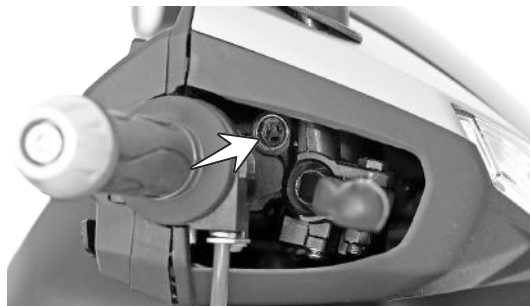
Replace the brake shoes as a set, if the wear limit indicator shows beyond the wear limit even after indexing the lever.

Front brake (Disc brake)

You can observe a master cylinder (1) right side of the handle bar under the head lamp housing.

A caliper assembly (2) fitted to the fork leg L, a disc (3) on the front wheel and a high pressure hose (4) connecting the master cylinder and the caliper assembly.

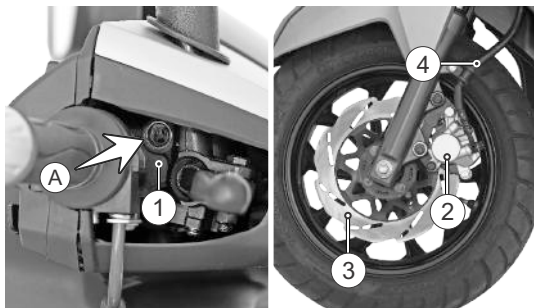
1. Check the master cylinder brake fluid level through the view piece glass.
2. The brake fluid level always should be above the 'LOWER' mark provided on the view piece glass of the master cylinder when the cylinder is parallel to ground.



3. If the brake fluid level is below the mark or while applying brake if you feel the brake is more spongy or ineffective due to air entry, contact TVS Motor Company Authorised Distributor or Dealer / Authorised Service Center for topping-up the brake fluid, air bleeding and other brake related inspections.

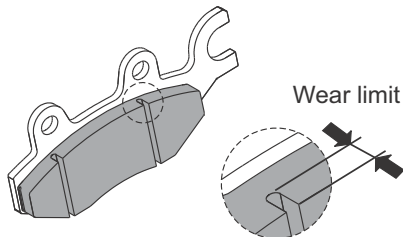
Caution

Master cylinder brake fluid level must be checked only when the master cylinder is parallel to the ground.



Brake pad wear indicator (Disc brake)

Check for the wear of brake pads visually. If the brake pads wear is found beyond the wear indicator groove as shown in the figure, replace the brake pads as a set with a new one.

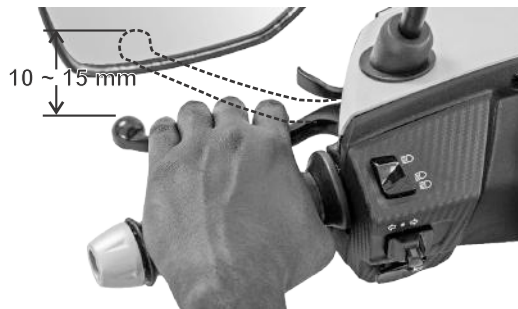


Caution

Replace the brake pads as a set, if the wear indicator shows beyond the wear limit.

Rear brake (Drum brake)

1. Measure the free play of the rear brake lever at the lever end as shown in the figure.
2. Free play of brake lever before the engagement of brake should be between 10 ~ 15 mm.
3. If the measured distance is more than the limit, adjust the nut provided at the rear wheel end to obtain the correct play.



Warning

Check front brake (drum brake type) and rear brake play periodically. However the brake play needs to be adjusted more frequently depending upon the usage.

- Turn the adjuster nut in clockwise direction for reducing free play or in anti-clockwise direction for increasing the free play.



i Note

Please remember that the rear brake lever free play adjustment to be done only after adjusting the front brake lever incase of SBS type brake.

Brake shoe wear indicator (Rear brake)
When brake is applied, the wear limit indication pointer (1) on the rear brake cam lever should be within the wear limit indicator (2) on the crankcase LH. In case the wear limit indication pointer (1) is going beyond wear limit indicator (2), index the lever to next slot with the help of Dealers to extend shoe life.



⚠ Caution

Replace the brake shoes as a set, if the wear limit indicator shows beyond the wear limit even after indexing the lever.

TYRES

Tyre pressure

Check the tyre pressure atleast once in a week if not more frequently. Insufficient air pressure in the tyres not only hasten tyre wear, but also seriously affects the stability of the vehicle.

Under inflated tyres make smooth cornering difficult and over inflated tyres decreases the tyre contact with the ground which can lead to skidding and loss of control.

Be sure that the tyre pressure is within the specified limit at all times.

Tyre pressure in cold condition:

	Solo	Dual
Front	1.69 kg/cm ² (24 PSI)	1.69 kg/cm ² (24 PSI)
Rear	1.97 kg/cm ² (28 PSI)	2.53 kg/cm ² (36 PSI)

Tyre tread condition

Operating the vehicle with excessively worn tyres will decrease riding stability and can lead to loss of control. It is recommended to replace the tyre when the tyre wears off to the tyre wear indicator level (indicated by TWI (A) on the tyre).



Tyre rotation direction

While reassembling the tyre on the wheel rim, please ensure the following:

1. The front tyre (indicated by 'FOR FRONT FITMENT' on the tyre) should not be assembled to rear wheel rim.
2. The arrow mark on the tyre should match the actual direction of rotation of wheel (both front and rear wheels)

Warning

The tyre inflation pressure in cold condition and the tyre tread condition are extremely important for the performance and safety of the rider. **Check the tyres frequently for inflation pressure as well as the wear pattern on it. Use of a tyre other than the standard may cause instability.**

Tyre puncture

Your scooter is fitted with a tubeless tyre on both front and rear wheel. In case of any puncture / tyre damage, it is advised to visit the nearest tyre manufacturer Dealer or the tyre repair shops who knows the repairing method of tubeless tyre.

It is not necessary to remove the tyre from wheel rim always to attend a puncture, Even though it there is need of tyre removal, it is strongly recommended to use a tyre removal / fitment machine. If at all, tyre levers needs to be used, the levers should be free from sharp edges. Care should be taken not to damage the tyres and rims.

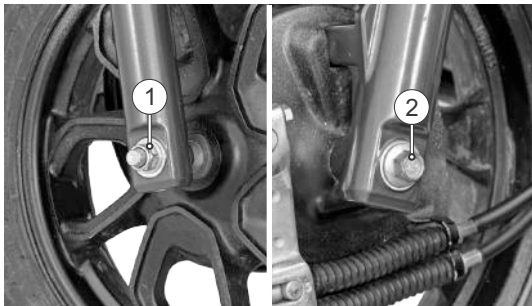
Caution

The side walls of the tubeless tyre which in contact with the wheel rim are only seals the air inside the wheel assembly. Hence care should be taken not to damage the side walls of the tyres during removal / reassembly.

FRONT WHEEL REMOVAL AND REASSEMBLY

Drum brake

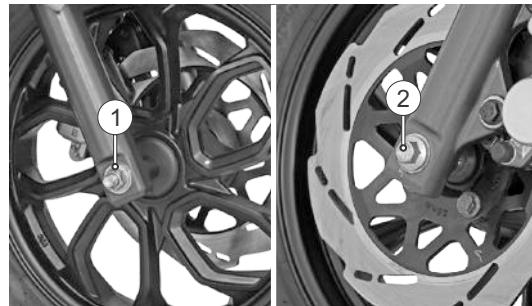
1. Remove the axle nut (1) along with a washer.
2. Pull out the axle (2) along with a washer and take out a spacer from the right side of the wheel.
3. Place a support below the foot board to prevent the vehicle from falling and lift the vehicle up.
4. Dislocate the wheel assembly along with brake the panel from front fork. Separate the brake panel from the wheel and take out the wheel.
5. Reverse the procedure for reassembling. While reassembling ensure to locate the lug on fork leg L to the slot in the brake panel.



FRONT WHEEL REMOVAL AND REASSEMBLY

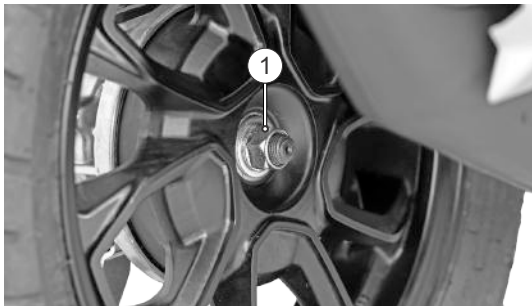
Disc brake

1. Remove the axle nut (1) along with a washer.
2. Pull out the axle (2) along with a washer and take out a spacer from the left side of the wheel.
3. Place a support below the foot board to prevent vehicle from falling and lift the vehicle up.
4. Dislocate the wheel disc from caliper assembly and take out the wheel along with hub drive.
5. Reverse the procedure for reassembling. Ensure the proper seating of wheel disc in the caliper assembly and lug on fork leg R to the slot in the hub drive while reassembling.



REAR WHEEL REMOVAL AND REASSEMBLY

1. Place the vehicle on the centre stand.
2. Hold the rear brake firmly and remove the wheel mounting nut (1) along with a washer.
3. Slightly tilt the vehicle and take out the wheel from the rear axle.
4. Reassemble the wheel in the reverse order of removal.



Warning

Always make sure, whenever the wheel is removed, the axle nuts are tightened properly to the specified torque.

STORAGE PROCEDURES

For storage of your scooter for longer period of over a month and above, we recommend to carry out the following steps:

1. Clean the vehicle thoroughly. Park the vehicle on centre stand.
2. Warm up the engine and drain engine oil and transmission oil. Store the oil, if new, in a dust free container.
3. Empty the fuel tank.
4. Drain the petrol from carburettor.
5. Remove the spark plug and feed in several drops of engine oil through spark plug hole. Crank the engine few times and reinstall the spark plug.

Caution

Do not park the vehicle on a slope or soft ground or else it may fall down. The exhaust system becomes hot after a run. Park the vehicle in a place where pedestrians or children are not likely to touch the vehicle.

During storage, the battery must be recharged at recommended charger if stored more than a month.



6. Remove the battery, store it away from direct sunlight and freezing temperatures.
7. Place a suitable support at the bottom of the foot board so that both the tyres are off the ground. This will ensure better tyre life.
8. Cover up the vehicle completely with a clean tarpaulin or any other suitable cover. Store the vehicle inside a garage or similar area to avoid damage due to dust and rain. Make sure that the storage area is well ventilated and free from any source of flame or spark.

TAKING THE VEHICLE OUT OF STORAGE FOR REGULAR USE

1. Take the vehicle out of garage and clean it thoroughly.
2. Remount the battery after bench charging if required.
3. Fill the engine oil (TVS TRU4 SKUTTA oil - SAE 10W30 API-SL, JASO MB) and check the oil level using gauge oil level.
4. Fill the transmission oil (TVS TRU4 SKUTTA oil - SAE 10W30 API-SL, JASO MB) and check the oil level at the oil level screw.
5. Lubricate the parts as instructed in the periodic maintenance schedule.
6. Fill up fresh petrol in the fuel tank.
7. Check and inflate the tyres to the specified tyre pressure.
8. Check and correct the points mentioned in page no. 44.



Caution

Avoid using alkaline solution like detergent soaps for washing. This may damage head lamp and other lamp assemblies.

9. Turn the ignition switch to 'ON' position. Turn ON the engine kill switch if required**. Start the vehicle and ride out.

RECOMMENDED TIPS WHEN TAKING A LONG TRIP OF MORE THAN 500 KM:

- A) Please keep the following items for use in case of emergency:
1. Tool kit complete.
 2. Recommended spark plug one number.
 3. Head lamp and turn signal lamp bulb each one.
 4. Throttle and rear brake cable each one.
 5. First aid kit.
- B) Precautions to be taken for the journey:
1. Ensure engine oil and transmission oil are up to the level.
 2. Adequate fuel in the fuel tank.
- C) Check your scooter for the following:
1. Tightness of all bolts and nuts with correct torque value.

2. Fitness of tyres / tyre pressure / tread depth.
3. All bulbs, indicators and horn functioning.
4. Smooth functioning of all cables and their free play.
5. Smoothness of steering operation.
6. Front / rear brake function and rear brake lamp working.
7. Front fork for any abnormality.
8. Spark plug gap and condition of spark plug.
9. Air filter element cleanliness.
10. Correct idling speed.
11. Lubrication of all items mentioned in the periodic maintenance schedule.
12. Any other job as necessary.
13. Have your vehicle checked at any TVS Motor Company Authorised Distributor or Dealer / Authorised Service Center. periodic maintenance schedule.



Caution

Long journey are to be taken only after the running-in period of 1000 km.

** Applicable only for Disc Brake version



SERVICE RECORD

Sl.No.	Description (kms or month whichever of the two occurs early from the date of purchase)	Odometer reading	Job card no. / Date	Servicing Dealer's stamp and sign.
1	1st service between (a) 500 - 750 km or (b) 2 months			
2	2nd service between (a) 2500 - 3000 km or (b) 4 months			
3	3rd service between (a) 5000 - 6000 km or (b) 8 months			
4	4th service between (a) 8500 - 9000 km or (b) 12 months			
5	5th service between (a) 11500 - 12000 km or (b) 16 months			
6	6th service between (a) 14500 - 15000 km or (b) 20 months			
7	7th service between (a) 17500 - 18000 km or (b) 24 months			

SERVICE RECORD

Sl.No.	Description (kms or month whichever of the two occurs early from the date of purchase)	Odometer reading	Job card no. / Date	Servicing Dealer's stamp and sign.
8	8th service between (a) 20500 - 21000 km or (b) 28 months			
9	9th service between (a) 23500 - 24000 km or (b) 32 months			
10	10th service between (a) 26500 - 27000 km or (b) 36 months			
11	11th service between (a) 29500 - 30000 km or (b) 40 months			
12	12th service between (a) 32500 - 33000 km or (b) 44 months			
13	13th service between (a) 35500 - 36000 km or (b) 48 months			
14	14th service between (a) 38500 - 39000 km or (b) 51 months			

SERVICE RECORD

Sl.No.	Description (kms or month whichever of the two occurs early from the date of purchase)	Odometer reading	Job card no. / Date	Servicing Dealer's stamp and sign.
15	15th service between (a) 41500 - 42000 km or (b) 54 months			
16	16th service between (a) 44500 - 45000 km or (b) 57 months			
17	17th service between (a) 47500 - 48000 km or (b) 60 months			

MANUFACTURER : TVS MOTOR COMPANY LIMITED
P.B. No1, Bythahalli, Kadakola post, Mysore - 571 311, India.

ENGINE

Type : 4 stroke, air cooled, single cylinder OHC
Cylinder bore : 53.5 mm
Stroke : 55.5 mm
Piston displacement : 124.79 cc
Compression ratio : 9.8 : 1
Carburettor : Keihin CT5 (VM20)
Air filter : Dry paper filter with dry foam
Oil filter : Wire mesh
Lubrication system : Forced wet sump
Maximum power in kW : 6.9 @ 7500 rpm
Maximum torque in Nm : 10.5 @ 5500 rpm
Maximum speed : 95 km/h
Engine idling rpm[†] : 1600 ± 100 rpm
Starting system : Electric starter / kick starter

TRANSMISSION

Clutch : Automatic - Centrifugal clutch
Primary transmission : CVT (Continuous Variable Transmission)
Primary reduction : 2.6 to 0.82
Secondary reduction : 9.085

CHASSIS

Overall length : 1865 mm
Overall width : 670 mm (drum)
: 710 mm (disc)
Overall height : 1160 mm
Ground clearance : 155 mm (unladen)
Wheel base : 1285 mm
Kerb weight (with toolkit and 90% of fuel) : 115 kg (Drum)
: 116 kg (Disc)
Pay load : 130 kg
Maximum laden weight : 245 kg (Drum)
: 246 kg (Disc)
Frame : Under bone tubular frame
Front suspension : Telescopic hydraulic
Rear suspension : Toggle link, gas filled hydraulic type coil spring shock absorber

[†] Under warm condition

TYRE

Tyre size

Front	: 100/80 - 12" 56L Tubeless
Rear	: 110/80 - 12" 61L Tubeless

Tyre pressure

Front	: 1.69 kg/cm ² (24 PSI)
Rear - solo	: 1.97 kg/cm ² (28 PSI)
Rear - dual	: 2.53 kg/cm ² (36 PSI)

BRAKES

Front	Disc	: 220 mm dia (hand operated)
	Drum	: 130 mm dia (hand operated)
Rear	Drum	: 130 mm dia (hand operated)

ELECTRICAL

Type	: AC generator
Ignition system	: IDI - ignition
Spark plug	: BOSCH - UR4KE
Battery type	: 12V, 4 Ah Maintenance free battery
Generator	: Fly wheel magneto 12V, 100W
Head lamp	: Halogen HS1 12V, 35/35W
Position lamp/DRL	: 12V, LED
Tail/brake lamp	: 12V, LED

Turn signal lamp	: 12V, 10W x 4
Number plate lamp	: 12V, 5W
Instrument panel	: LCD / LED indicators
Horn	: 12V, 2.5A DC
Fuse	: 10A

Caution

Using the bulb other than the specified rating can result in overloading of the electrical system or premature failure of the bulb.

Note

Specifications are subject to change without notice.

CAPACITIES

Fuel tank capacity	: 5 litres [†]
Fuel	: BS IV / Unleaded petrol
Engine oil grade	: TVS TRU4 SKUUTA oil (SAE 10W30 API-SL, JASO MB)
Engine oil capacity	: 880 ml (after draining) 930ml (after disassembly)
Transmission oil capacity	: 120 ml (after draining) 130ml (after disassembly)
Front fork oil grade	: Gabriel front fork fluid
Front fork oil capacity	: 91 ± 1 cc
Brake fluid**	: TVS (DOT 3 / DOT 4)

** Applicable only for disc brake vehicle

[†] The fuel tank is not a measuring instrument and the capacity of fuel tank may slightly vary from the indicated capacity.